



G-Series Raised Panel Range Hood
Cherry Wood
Shown with Simple 1 Molding Option



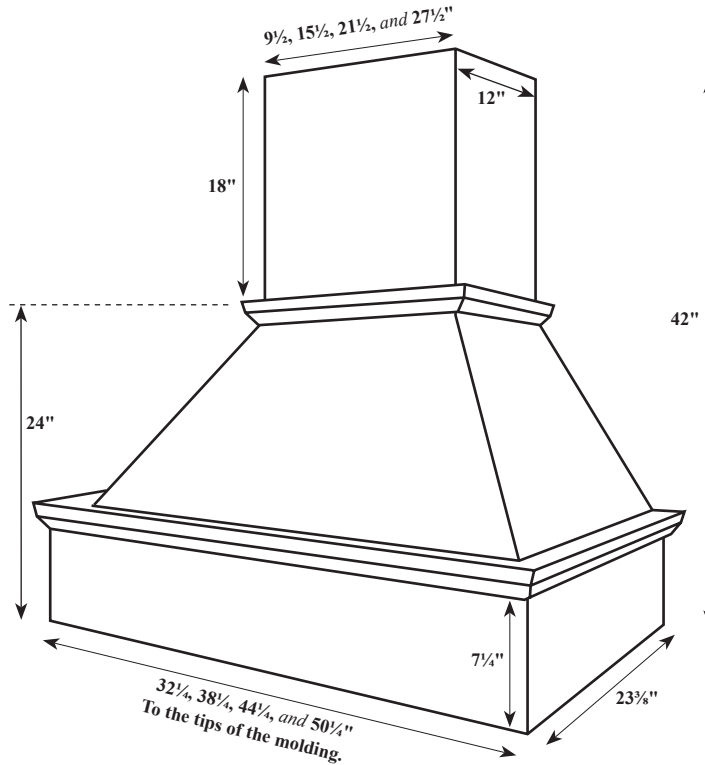
L-Series Range Hood
Maple Wood
Shown with Classic 1 Molding Option

Range Hood Options - Table of Contents

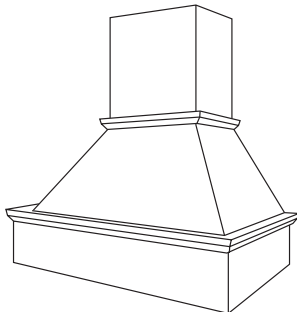
Section Name	Page #
P.1 • Chimney Style Hoods	P.1.2
• Vchim-Series	P.1.2
P.2 • Wall Mount Style Hoods	P.2.1
• G-Series	P.2.1
• T-Series	P.2.3
• J-Series	P.2.5
• P-Series	P.2.9
P.3 • Island Range Hoods	P.3.1
• I-Series	P.3.1
P.4 • Curved Style Hoods	P.4.1
• E-Series	P.4.1
• B-Series	P.4.3
• D-Series	P.4.4
P.5 • Mantel Style Hoods	P.5.1
• M-Series	P.5.1
• S-Series	P.5.2
• A-Series	P.5.4
• W-Series	P.5.5
• O-Series	P.5.6
• Q-Series	P.5.7
P.6 • Hearth Style Range Hoods	P.6.1
• N-Series	P.6.1
• L-Series	P.6.2
• H-Series	P.6.3
P.7 • Range Hood Options	P.7.1
• Molding Options	P.7.1
• Removable Access Panel Options	P.7.1
• Ventilation Units (Liners & Blowers)	P.7.2
• General Information	P.7.4

Vchim - Series Range Hoods

V - Standard Hood

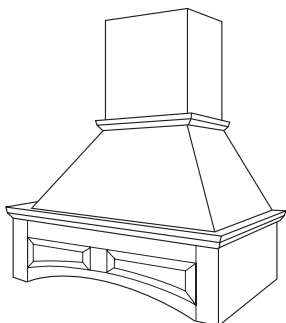


V - Standard Hood



Wood Species	V - Hood Part #'s and Sizes			
	V-3042	V-3642	V-4242	V-4842
Alder-Natural	30" X 42"	36" X 42"	42" X 42"	48" X 42"
Cherry-Natural				
Maple-Hard-Natural				
Oak-Red-Natural				

VRA - Arched Base Hood



Wood Species	VRA - Hood Part #'s and Sizes			
	VRA-3042	VRA-3642	VRA-4242	VRA-4842
Alder-Natural	30" X 42"	36" X 42"	42" X 42"	48" X 42"
Cherry-Natural				
Maple-Hard-Natural				
Oak-Red-Natural				

► For PRICING ► See Section P.1 in our current Wholesale Pricing Catalog.

Ordering & Pricing Notes: Vchim-Series Range Hood

Ordering Guidelines

1	Order Forms	Please use <i>Range Hoods Order Form (E•Z Form #12)</i> .
Pricing		
1	Pricing	Please see <i>Section P.1</i> of our current Wholesale Pricing Catalog .

Technical Notes: Vchim-Series Range Hood

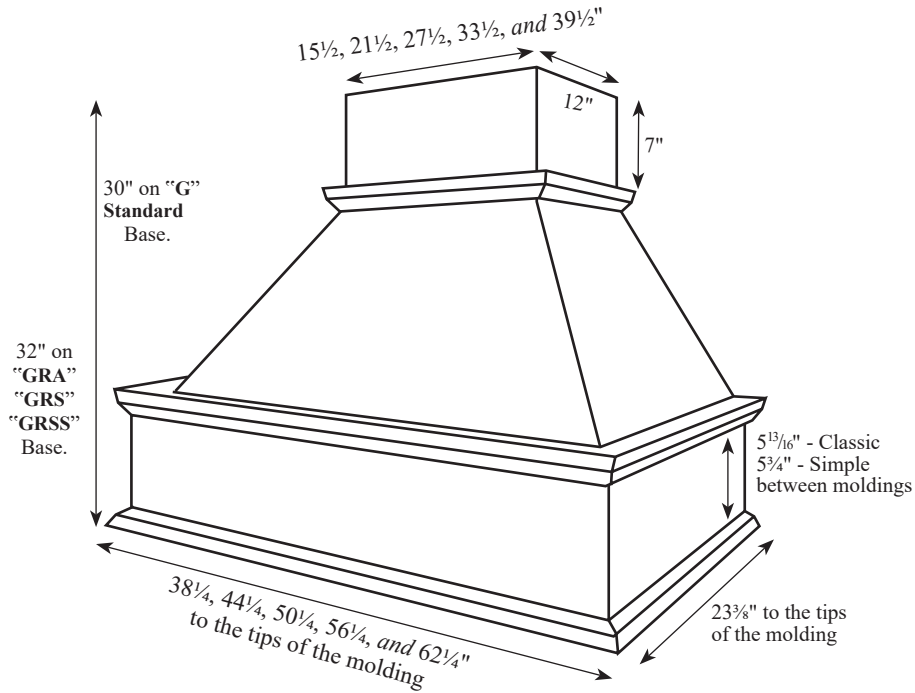
Range Hood Options (Chapter P)

1	Customization	No customizing of sizes, profiles or moldings is offered with this range hood. Please see the G or T Series if custom sizes are required.
2	Hood Liners	See <i>Section P.7 - Ventilation Units (Liners & Blowers)</i> .
3	Moldings	Base and chimney molding comes standard (See <i>Section P.7</i>).
		Any other range hood molding being used as an accessory must be ordered separately using <i>Order Form # 5</i> . These are not included in the range hood price.
4	Raised Panel Base	WalzCraft sources range hoods from an outside vendor. The outside vendor offers one stile & rail profile and one center panel profile for the Vchim series range hood with the raised panel arched base. These profiles are a reasonable match to WalzCraft profiles. <ul style="list-style-type: none"> • Stile & Rail Profile: SR107 (See <i>Section E.1</i>) • Center Panel Profile: PR300-32 (See <i>Section E.12</i>)
5	Hood and Ventilation Installation	Please see <i>Section P.7 - Range Hood Notes</i> regarding installation liability and local building code guidelines.
Sizes / Dimensions		
1	Available Widths	Vchim - Series Range Hoods are available in 30" to 48" [762.0mm to 1219.2mm] widths and must be ordered in 6" [152.4mm] increments.
2	Chimney	Overall height is 42" [1066.8mm]; the upper chimney can be trimmed.

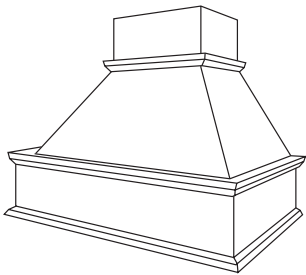
The installation of Range Hood and Ventilation Units are subject to local building code construction guidelines. It is your responsibility to ensure that the Range Hood, Liner and Blower do meet your local building code standards.

G-Series Range Hoods

G - Standard Hood



G - Standard Hood

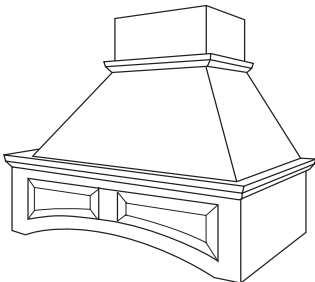


Wood Species

G - Hood Part #'s and Sizes

	G-3630	G-4230	G-4830	G-5430	G-6030
Alder-Natural					
Alder-Rustic					
Beech-European-Steamed-Natural					
Cherry-Natural					
Hickory-Natural	36" X 30"	42" X 30"	48" X 30"	54" X 30"	60" X 30"
Mahogany-African					
Maple-Hard-Natural					
Oak-Red-Natural					
Oak-White-QS-Natural					

GRA - Raised Panel Arched Base Hood



Wood Species

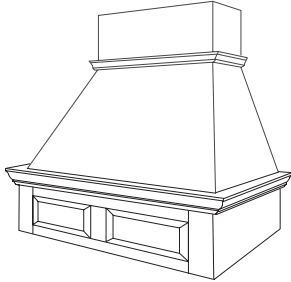
GRA - Hood Part #'s and Sizes

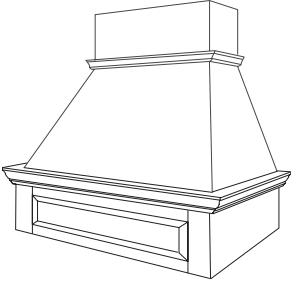
	GRA-3632	GRA-4232	GRA-4832	GRA-5432	GRA-6032
Alder-Natural					
Alder-Rustic					
Beech-European-Steamed-Natural					
Cherry-Natural					
Hickory-Natural	36" X 32"	42" X 32"	48" X 32"	54" X 32"	60" X 32"
Mahogany-African					
Maple-Hard-Natural					
Oak-Red-Natural					
Oak-White-QS-Natural					

The installation of Range Hood and Ventilation Units are subject to local building code construction guidelines. It is your responsibility to ensure that the Range Hood, Liner and Blower do meet your local building code standards.

Wall Mount Style Hoods

Range Hood Options

GRS - Raised Panel Square Hood	Wood Species	GRS - Hood Part #'s and Sizes				
		GRS-3632	GRS-4232	GRS-4832	GRS-5432	GRS-6032
	Alder-Natural	36" X 32"	42" X 32"	48" X 32"	54" X 32"	60" X 32"
	Alder-Rustic					
	Beech-European-Steamed-Natural					
	Cherry-Natural					
	Hickory-Natural					
	Mahogany-African					
	Maple-Hard-Natural					
	Oak-Red-Natural					
	Oak-White-QS-Natural					

GRSS - Raised Panel Square Base (Single Panel)	Wood Species	GRSS - Hood Part #'s and Sizes				
		GRSS-3632	GRSS-4232	GRSS-4832	GRSS-5432	GRSS-6032
	Alder-Natural	36" X 32"	42" X 32"	48" X 32"	54" X 32"	60" X 32"
	Alder-Rustic					
	Beech-European-Steamed-Natural					
	Cherry-Natural					
	Hickory-Natural					
	Mahogany-African					
	Maple-Hard-Natural					
	Oak-Red-Natural					
	Oak-White-QS-Natural					

Ordering & Pricing Notes: G-Series Range Hood

Ordering Guidelines

1	Order Forms	Please use <i>Range Hoods Order Form (E-Z Form #12)</i> .
Pricing		
1	Pricing	Please see <i>Section P.2</i> of our current Wholesale Pricing Catalog .


Technical Notes: G-Series Range Hood

Range Hood Options (Chapter P)

1	Customization	See <i>Section P.7 - Range Hood Notes</i> .
2	Hood Liners	See <i>Section P.7 - Ventilation Units (Liners & Blowers)</i> .
3	Removable Access Panel	Available on G, GRA, GRS & GRSS range hoods. See <i>Section P.7 - Range Hood Notes</i> .
4	Removable Top	Removable Tops are an <i>optional feature</i> , available for Series E, G, and T range hoods. See <i>Section P.7</i> .
5	Moldings	Base and chimney molding comes standard on the G-Series range hoods. You must select a molding package. See Range Hood Molding Options in <i>Section P.7</i> . Any other molding being used as an accessory with your range hood must be ordered separately using Order Form #5 . These <i>are not included</i> in the range hood price. See <i>Chapter N</i> for additional molding options.
6	Accent Components	Must be ordered separately, using Order Form #5 , see options in <i>Chapter O and Section P.7 - Range Hood Notes</i> .
7	Raised Panel Bases	When ordering GRA, GRS or GRSS , you must select a Stile & Rail profile and a Center Panel profile. See options in <i>Section P.7 - Range Hood Notes</i> .
8	Hood and Ventilation Installation	Please see <i>Section P.7 - Range Hood Notes</i> regarding installation liability and local building code guidelines.

Sizes / Dimensions

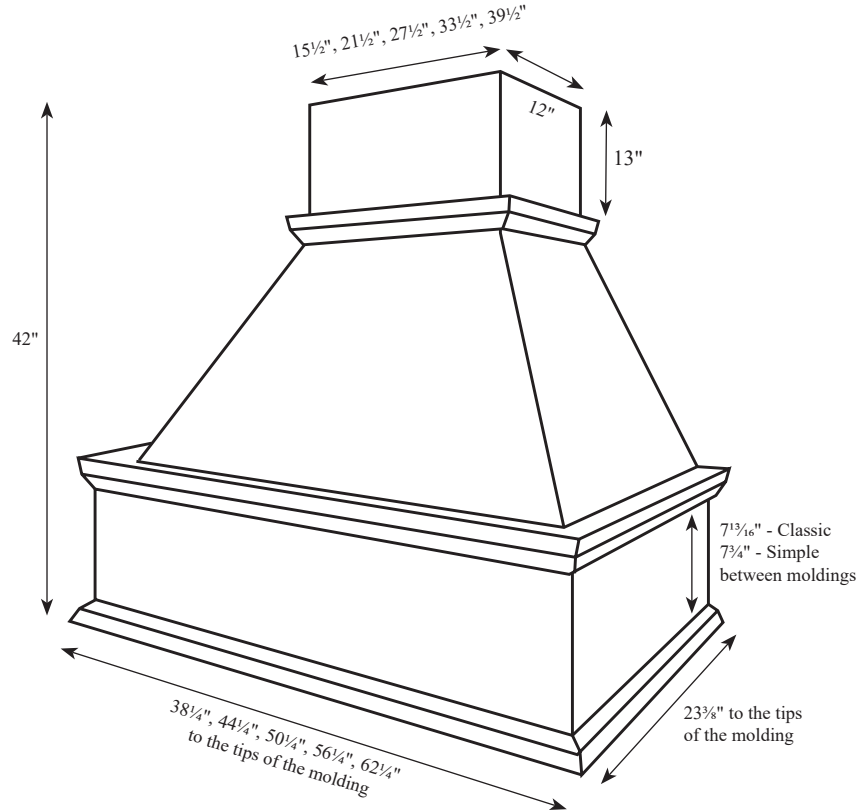
1	Available Widths	Available in standard widths to fit a cook top up to 60" [1524.0mm] wide.
2	Overall Width	For the overall width of the hood, measuring from tip to tip on the applied decorative molding, add 2¼" [57.2mm] to the width listed in the grids .
3	Chimney	The standard hood accommodates a 9' [2743.2mm] ceiling, although the chimney can be trimmed, extended or customized.

 = Product outsourced from other vendor.

► For **PRICING** ► See *Section P.2* in our current **Wholesale Pricing Catalog**.

T-Series Range Hoods

T - Standard Hood



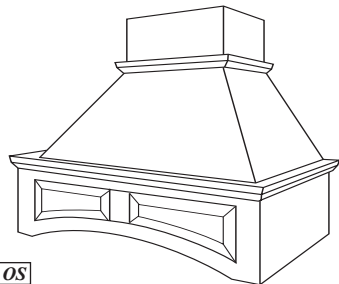
OS

Wood Species

T - Hood Part #'s and Sizes

	T-3642	T-4242	T-4842	T-5442	T-6042
Alder-Natural	36" X 42"	42" X 42"	48" X 42"	54" X 42"	60" X 42"
Alder-Rustic					
Beech-European-Steamed-Natural					
Cherry-Natural					
Hickory-Natural					
Mahogany-African					
Maple-Hard-Natural					
Oak-Red-Natural					
Oak-White-QS-Natural					

TRA - Raised Panel Arched Base Hood



OS

Wood Species

TRA - Hood Part #'s and Sizes

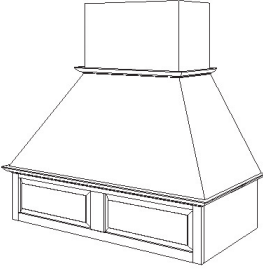
	TRA-3642	TRA-4242	TRA-4842	TRA-5442	TRA-6042
Alder-Natural	36" X 42"	42" X 42"	48" X 42"	54" X 42"	60" X 42"
Alder-Rustic					
Beech-European-Steamed-Natural					
Cherry-Natural					
Hickory-Natural					
Mahogany-African					
Maple-Hard-Natural					
Oak-Red-Natural					
Oak-White-QS-Natural					

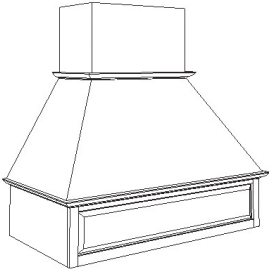
OS = Product outsourced from other vendor.

► For PRICING ► See Section P.2 in our current Wholesale Pricing Catalog.

Wall Mount Style Hoods

Range Hood Options

TRSS - Raised Panel Square Base Hood	Wood Species	TRSS - Hood Part #'s and Sizes				
		TRSS-3642	TRSS-4242	TRSS-4842	TRSS-5442	TRSS-6042
	Alder-Natural	36" X 42"	42" X 42"	48" X 42"	54" X 42"	60" X 42"
	Alder-Rustic					
	Beech-European-Steamed-Natural					
	Cherry-Natural					
	Hickory-Natural					
	Mahogany-African					
	Maple-Hard-Natural					
	Oak-Red-Natural					
	Oak-White-QS-Natural					

TRSS - Raised Panel Square Base (Single Panel)	Wood Species	TRSS - Hood Part #'s and Sizes				
		TRSS-3642	TRSS-4242	TRSS-4842	TRSS-5442	TRSS-6042
	Alder-Natural	36" X 42"	42" X 42"	48" X 42"	54" X 42"	60" X 42"
	Alder-Rustic					
	Beech-European-Steamed-Natural					
	Cherry-Natural					
	Hickory-Natural					
	Mahogany-African					
	Maple-Hard-Natural					
	Oak-Red-Natural					
	Oak-White-QS-Natural					

Ordering & Pricing Notes: T-Series Range Hood

Ordering Guidelines

1	Order Forms	Please use <i>Range Hoods Order Form (E•Z Form #12)</i> .
Pricing		
1	Pricing	Please see <i>Section P.2</i> of our current <i>Wholesale Pricing Catalog</i> .

Technical Notes: T-Series Range Hood

Range Hood Options (Chapter P)

1	Customization	See <i>Section P.7 - Range Hood Notes</i> .
2	Hood Liners	See <i>Section P.7 - Ventilation Units (Liners & Blowers)</i> .
3	Removable Access Panel	Available on T, TRA, TRS & TRSS range hoods. See <i>Section P.7 - Range Hood Notes</i> .
4	Removable Top	Removable Tops are an <i>optional feature</i> , available for Series E, G, and T range hoods. See <i>Section P.7</i> .
5	Moldings	Base and chimney molding comes standard on the T-Series range hoods. You must select a molding package. See <i>Range Hood Molding Options</i> in <i>Section P.7</i> . Any other molding being used as an accessory with your range hood must be ordered separately using <i>Order Form #5</i> . These <i>are not included</i> in the range hood price. See <i>Chapter N</i> for additional molding options.
6	Accent Components	Must be ordered separately, using <i>Order Form # 5</i> , see options in <i>Chapter O and Section P.7 - Range Hood Notes</i> .
7	Raised Panel Bases	When ordering TRA, TRS or TRSS, you must select a Stile & Rail profile and a Center Panel profile. See options in <i>Section P.7 - Range Hood Notes</i> .
8	Hood and Ventilation Installation	Please see <i>Section P.7 - Range Hood Notes</i> regarding installation liability and local building code guidelines.

Sizes / Dimensions

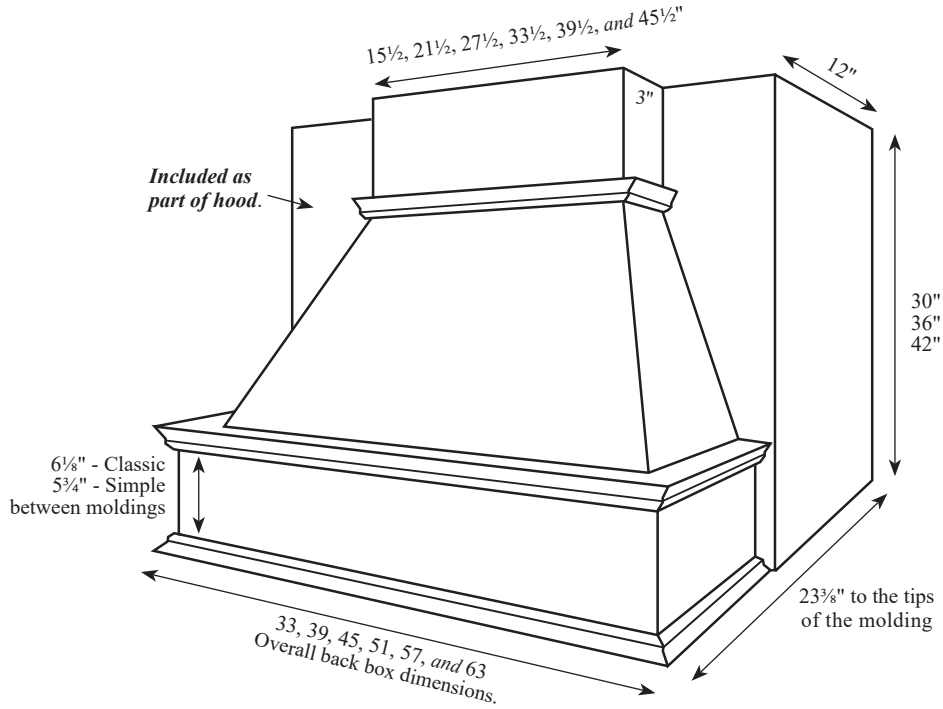
1	Available Widths	Available in standard widths to fit a cook top up to 60" [1524.0mm] wide.
2	Overall Width	For the overall width of the hood, measuring from tip to tip on the applied decorative molding, add 2¼" [57.2mm] to the width listed in the grids.
3	Chimney	The standard hood accommodates a 9' [2743.2mm] ceiling, although the chimney can be trimmed, extended or customized.

 = Product outsourced from other vendor.

The installation of Range Hood and Ventilation Units are subject to local building code construction guidelines. It is your responsibility to ensure that the Range Hood, Liner and Blower do meet your local building code standards.

J-Series Range Hoods

J - Standard Hood



Wood Species	J - Hood Part #'s and Sizes								
	J-3330	J-3930	J-4530	J-5130	J-5730	J-6330	J-3336	J-3936	J-4536
Alder-Natural									
Alder-Rustic									
Beech-European-Steamed-Natural									
Cherry-Natural									
Hickory-Natural	33" X 30"	39" X 30"	45" X 30"	51" X 30"	57" X 30"	63" X 30"	33" X 36"	39" X 36"	45" X 36"
Mahogany-African									
Maple-Hard-Natural									
Oak-Red-Natural									
Oak-White-QS-Natural									

Wood Species	J - Hood Part #'s and Sizes								
	J-5136	J-5736	J-6336	J-3342	J-3942	J-4542	J-5142	J-5742	J-6342
Alder-Natural									
Alder-Rustic									
Beech-European-Steamed-Natural									
Cherry-Natural									
Hickory-Natural	51" X 36"	57" X 36"	63" X 36"	33" X 42"	39" X 42"	45" X 42"	51" X 42"	57" X 42"	63" X 42"
Mahogany-African									
Maple-Hard-Natural									
Oak-Red-Natural									
Oak-White-QS-Natural									

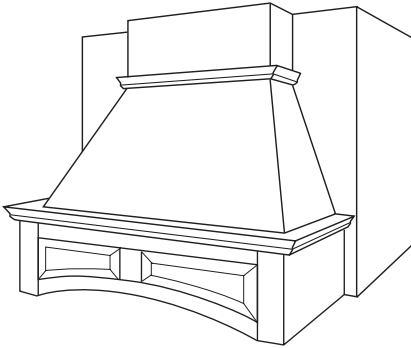
The installation of Range Hood and Ventilation Units are subject to local building code construction guidelines. It is your responsibility to ensure that the Range Hood, Liner and Blower do meet your local building code standards.

Wall Mount Style Hoods

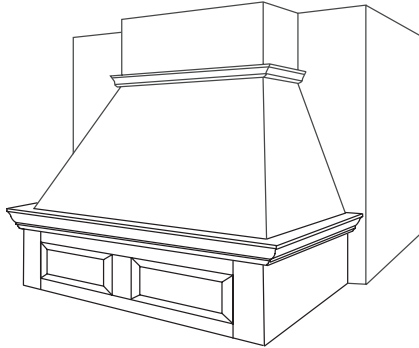
Range Hood Options

J-Series Range Hoods

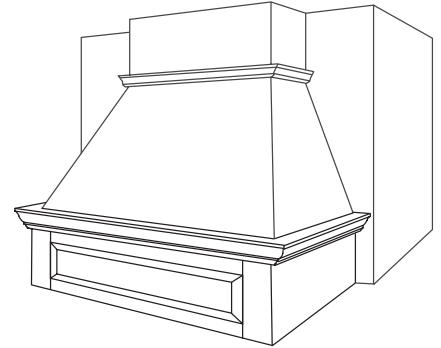
JRA - Raised Panel Arched Base Hood



JRS - Raised Panel Square Base Hood



JRSS - Raised Panel Square Base Hood (Single Panel)



Wood Species	JRA - Hood Part #'s and Sizes								
	JRA-3330	JRA-3930	JRA-4530	JRA-5130	JRA-5730	JRA-6330	JRA-3336	JRA-3936	JRA-4536
Alder-Natural									
Alder-Rustic									
Beech-European-Steamed-Natural									
Cherry-Natural									
Hickory-Natural	33" X 30"	39" X 30"	45" X 30"	51" X 30"	57" X 30"	63" X 30"	33" X 36"	39" X 36"	45" X 36"
Mahogany-African									
Maple-Hard-Natural									
Oak-Red-Natural									
Oak-White-QS-Natural									

Wood Species	JRA - Hood Part #'s and Sizes								
	JRA-5136	JRA-5736	JRA-6336	JRA-3342	JRA-3942	JRA-4542	JRA-5142	JRA-5742	JRA-6342
Alder-Natural									
Alder-Rustic									
Beech-European-Steamed-Natural									
Cherry-Natural									
Hickory-Natural	51" X 36"	57" X 36"	63" X 36"	33" X 42"	39" X 42"	45" X 42"	51" X 42"	57" X 42"	63" X 42"
Mahogany-African									
Maple-Hard-Natural									
Oak-Red-Natural									
Oak-White-QS-Natural									

P

► For PRICING ► See Section P.2 in our current Wholesale Pricing Catalog.

Range Hood Options

Wall Mount Style Hoods

Wood Species	JRS - Hood Part #'s and Sizes								
	JRS-3330	JRS-3930	JRS-4530	JRS-5130	JRS-5730	JRS-6330	JRS-3336	JRS-3936	JRS-4536
Alder-Natural	33" X 30"	39" X 30"	45" X 30"	51" X 30"	57" X 30"	63" X 30"	33" X 36"	39" X 36"	45" X 36"
Alder-Rustic									
Beech-European-Steamed-Natural									
Cherry-Natural									
Hickory-Natural									
Mahogany-African									
Maple-Hard-Natural									
Oak-Red-Natural									
Oak-White-QS-Natural									

Wood Species	JRS - Hood Part #'s and Sizes								
	JRS-5136	JRS-5736	JRS-6336	JRS-3342	JRS-3942	JRS-4542	JRS-5142	JRS-5742	JRS-6342
Alder-Natural	51" X 36"	57" X 36"	63" X 36"	33" X 42"	39" X 42"	45" X 42"	51" X 42"	57" X 42"	63" X 42"
Alder-Rustic									
Beech-European-Steamed-Natural									
Cherry-Natural									
Hickory-Natural									
Mahogany-African									
Maple-Hard-Natural									
Oak-Red-Natural									
Oak-White-QS-Natural									

Wood Species	JRSS - Hood Part #'s and Sizes								
	JRSS-3330	JRSS-3930	JRSS-4530	JRSS-5130	JRSS-5730	JRSS-6330	JRSS-3336	JRSS-3936	JRSS-4536
Alder-Natural	33" X 30"	39" X 30"	45" X 30"	51" X 30"	57" X 30"	63" X 30"	33" X 36"	39" X 36"	45" X 36"
Alder-Rustic									
Beech-European-Steamed-Natural									
Cherry-Natural									
Hickory-Natural									
Mahogany-African									
Maple-Hard-Natural									
Oak-Red-Natural									
Oak-White-QS-Natural									

Wood Species	JRSS - Hood Part #'s and Sizes								
	JRSS-5136	JRSS-5736	JRSS-6336	JRSS-3342	JRSS-3942	JRSS-4542	JRSS-5142	JRSS-5742	JRSS-6342
Alder-Natural	51" X 36"	57" X 36"	63" X 36"	33" X 42"	39" X 42"	45" X 42"	51" X 42"	57" X 42"	63" X 42"
Alder-Rustic									
Beech-European-Steamed-Natural									
Cherry-Natural									
Hickory-Natural									
Mahogany-African									
Maple-Hard-Natural									
Oak-Red-Natural									
Oak-White-QS-Natural									

► For PRICING ► See Section P.2 in our current Wholesale Pricing Catalog.

Ordering & Pricing Notes: J-Series Range Hood

Ordering Guidelines

1	Order Forms	Please use <i>Range Hoods Order Form (E•Z Form #12)</i> .
Pricing		
1	Pricing	Please see <i>Section P.2</i> of our current Wholesale Pricing Catalog .

Technical Notes: J-Series Range Hood

Range Hood Options (Chapter P)

1	Customization	See <i>Section P.7 - Range Hood Notes</i> .
2	Hood Liners	See <i>Section P.7 - Ventilation Units (Liners & Blowers)</i> .
3	Removable Access Panel	See <i>Section P.7 - Range Hood Notes</i> .
4	Moldings	Base & Chimney Moldings come standard. See <i>Section P.7 - Range Hood Molding Options</i> .
5	Accent Components	Must be ordered separately, using <i>Order Form # 5</i> , see options in <i>Chapter O and Section P.7 - Range Hood Notes</i> .
6	Raised Panel Bases	When ordering JRA, JRS or JRSS , you must select a Stile and Rail Profile and a Center Panel Profile. See options in <i>Section P.7 - Range Hood Notes</i> .
7	Hood and Ventilation Installation	Please see <i>Section P.7 - Range Hood Notes</i> regarding installation liability and local building code guidelines.

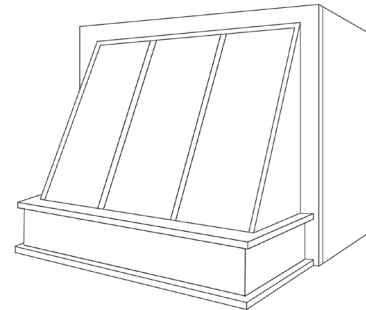
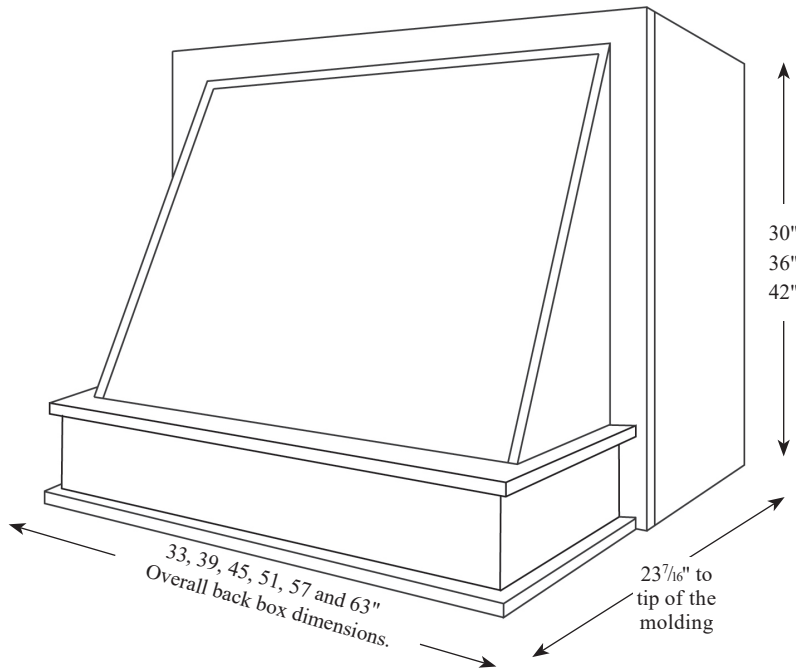
Sizes / Dimensions

1	Available Widths	Available in standard widths to fit a cook top up to 60" [1524.0mm] wide. The hood must be 3" [76.2mm] wider than the range.
2	Overall Width	For the overall width of the hood, measuring from tip to tip on the applied decorative molding, add 2¼" [57.2mm] to the width listed in the grids.

The installation of Range Hood and Ventilation Units are subject to local building code construction guidelines. It is your responsibility to ensure that the Range Hood, Liner and Blower do meet your local building code standards.

P-Series Range Hoods

P - Standard Hood



P - Standard Hood with Battens Option

P

Wood Species	P - Hood Part #'s and Sizes								
	P-3330	P-3930	P-4530	P-5130	P-5730	P-6330	P-3336	P-3936	P-4536
Alder-Natural	33" X 30"	39" X 30"	45" X 30"	51" X 30"	57" X 30"	63" X 30"	33" X 36"	39" X 36"	45" X 36"
Alder-Rustic									
Beech-European-Steamed-Natural									
Cherry-Natural									
Hickory-Natural									
Mahogany-African									
Maple-Hard-Natural									
Oak-Red-Natural									
Oak-White-QS-Natural									

Wood Species	P - Hood Part #'s and Sizes								
	P-5136	P-5736	P-6336	P-3342	P-3942	P-4542	P-5142	P-5742	P-6342
Alder-Natural	51" X 36"	57" X 36"	63" X 36"	33" X 42"	39" X 42"	45" X 42"	51" X 42"	57" X 42"	63" X 42"
Alder-Rustic									
Beech-European-Steamed-Natural									
Cherry-Natural									
Hickory-Natural									
Mahogany-African									
Maple-Hard-Natural									
Oak-Red-Natural									
Oak-White-QS-Natural									

► **For PRICING** ► See Section P.2 in our current Wholesale Pricing Catalog.

Ordering & Pricing Notes: P-Series Range Hood

Ordering Guidelines

1	Order Forms	Please use <i>Range Hoods Order Form (E-Z Form #12)</i> .
Pricing		
1	Pricing	Please see <i>Section P.2</i> of our current Wholesale Pricing Catalog .

Technical Notes: P-Series Range Hood

Range Hood Options (Chapter P)

1	Customization	See <i>Section P.7 - Range Hood Notes</i> .
2	Hood Liners	See <i>Section P.7 - Ventilation Units (Liners & Blowers)</i> .
3	Removable Access Panel	See <i>Section P.7 - Range Hood Notes</i> .
4	Moldings	Crown moldings can be affixed to the top horizontal batten and must be ordered separately, using <i>Order Form #5</i> . See <i>Section N.1 - Crown Molding</i> .
5	Battens	Please note “with Battens” or “without Battens” in Special Instructions column on the order form.
6	Accent Components	Must be ordered separately, using <i>Order Form # 5</i> , see options in <i>Chapter O and Section P.7 - Range Hood Notes</i> .
7	Hood and Ventilation Installation	Please see <i>Section P.7 - Range Hood Notes</i> regarding installation liability and local building code guidelines.

Sizes / Dimensions

1	Available Widths	Available in standard widths to fit a cook top up to 60" [1524.0mm] wide. The hood must be 3" [76.2mm] wider than the range.
---	------------------	---

The installation of Range Hood and Ventilation Units are subject to local building code construction guidelines. It is your responsibility to ensure that the Range Hood, Liner and Blower do meet your local building code standards.

1-800-237-1326

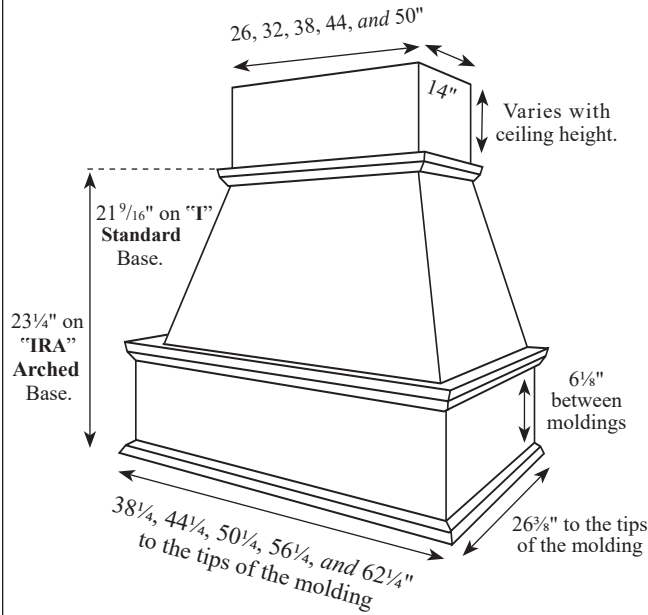
WalzCraft®

www.WalzCraft.com

P

I-Series Range Hoods (Island/Ceiling Mount)

I - Standard Hood



I-Series Range Hood Notes

Ordering Guidelines

1 Order Forms Please use *Range Hoods Order Form (E•Z Form #12)*.

Pricing

1 Pricing Please see *Section P.3* of our current **Wholesale Pricing Catalog**.

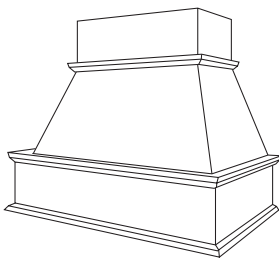
Range Hood Options (P)

1 Customization	See <i>Section P.7 - Range Hood Notes</i> .
2 Hood Liners	See <i>Section P.7 - Ventilation Units (Liners & Blowers)</i> .
3 Removable Access Panel	See <i>Section P.7 - Range Hood Notes</i> .
4 Moldings	Base & Chimney Moldings come standard. See <i>Section P.7 - Range Hood Molding Options</i> .
5 Accent Components	Must be ordered separately, using <i>Order Form # 5</i> . See options in <i>Chapter O and Section P.7 - Range Hood Notes</i> .
6 IRA - Raised Panel Arched Base Hood	When ordering, you must select a Stile and Rail Profile and a Center Panel Profile. See options in <i>Section P.7 - Range Hood Notes</i> .
7 Hood and Ventilation Installation	Please see <i>Section P.7 - Range Hood Notes</i> regarding installation liability and local building code guidelines.

Sizes / Dimensions

1 Available Widths	Available in standard widths to fit a cook top up to 60" [1524.0mm] wide. Island hoods should be 6" [152.4mm] wider than the cooking surface.
2 Overall Width	For the overall width of the hood, measuring from tip to tip on the applied decorative molding, add 2 1/4" [57.2mm] to the width listed in the grids below.
3 Hood Height	Minimum Hood Height = 28" [711.2mm]. Please provide "overall" hood height. I-Series hoods include a concealed mounting system. I-Series can not be trimmed on job site.

I - Standard Hood



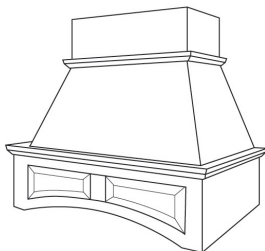
Wood Species

Alder-Natural
Alder-Rustic
Beech-European-Steamed-Natural
Cherry-Natural
Hickory-Natural
Mahogany-African
Maple-Hard-Natural
Oak-Red-Natural
Oak-White-QS-Natural

I - Hood Part #'s and Width Dimensions

	I-36	I-42	I-48	I-54	I-60
	36"	42"	48"	54"	60"

IRA - Raised Panel Arched Base Hood



Wood Species

Alder-Natural
Alder-Rustic
Beech-European-Steamed-Natural
Cherry-Natural
Hickory-Natural
Mahogany-African
Maple-Hard-Natural
Oak-Red-Natural
Oak-White-QS-Natural

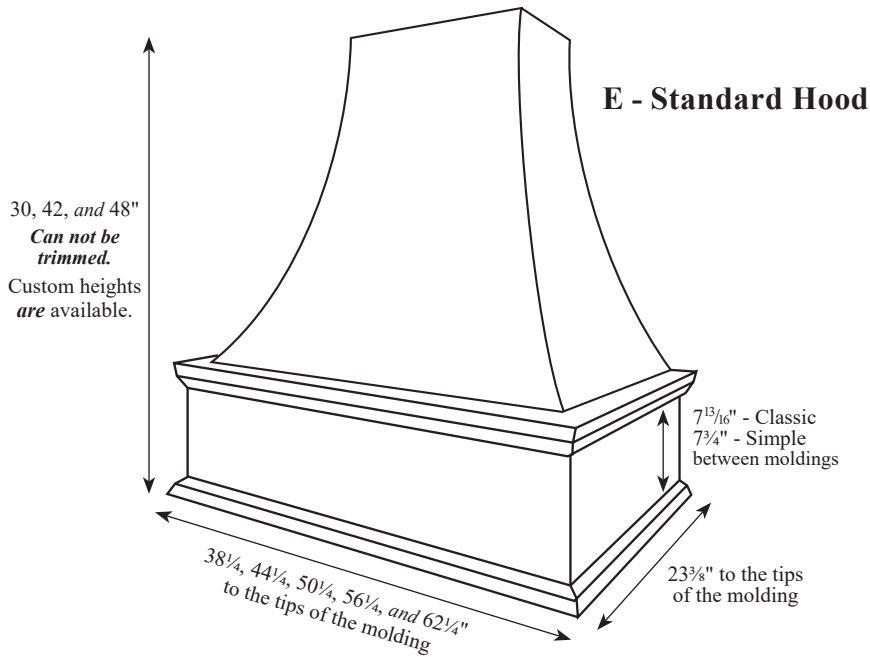
IRA - Hood Part #'s and Width Dimensions

	IRA-36	IRA-42	IRA-48	IRA-54	IRA-60
	36"	42"	48"	54"	60"

Range Hood Options

Curved Style Hoods

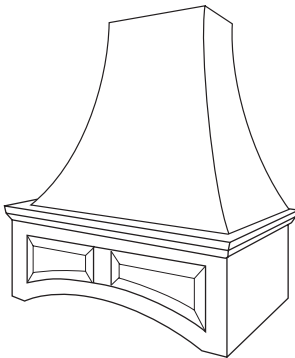
E-Series Range Hoods



E - Hood Part #'s and Sizes

Wood Species	E-3630	E-4230	E-4830	E-5430	E-6030	E-3642	E-4242	E-4842	E-5442	E-6042	E-3648	E-4248	E-4848	E-5448	E-6048
Alder-Natural															
Alder-Rustic															
Beech-European-Steamed-Nat															
Cherry-Natural															
Hickory-Natural	36" X 30"	42" X 30"	48" X 30"	54" X 30"	60" X 30"	36" X 42"	42" X 42"	48" X 42"	54" X 42"	60" X 42"	36" X 48"	42" X 48"	48" X 48"	54" X 48"	60" X 48"
Mahogany-African															
Maple-Hard-Natural															
Oak-Red-Natural															
Oak-White-QS-Natural															

ERA - Raised Panel Arched Base Hood



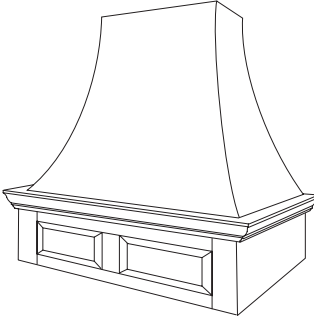
Wood Species	ERA - Hood Part #'s and Sizes							
	ERA-3630	ERA-4230	ERA-4830	ERA-5430	ERA-6030	ERA-3642	ERA-4242	ERA-4842
Alder-Natural								
Alder-Rustic								
Beech-European-Steamed-Nat								
Cherry-Natural								
Hickory-Natural	36" X 30"	42" X 30"	48" X 30"	54" X 30"	60" X 30"	36" X 42"	42" X 42"	48" X 42"
Mahogany-African								
Maple-Hard-Natural								
Oak-Red-Natural								
Oak-White-QS-Natural								

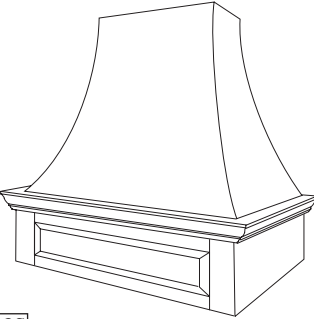
Wood Species	ERA - Hood Part #'s and Sizes						
	ERA-5442	ERA-6042	ERA-3648	ERA-4248	ERA-4848	ERA-5448	ERA-6048
Alder-Natural							
Alder-Rustic							
Beech-European-Steamed-Nat							
Cherry-Natural							
Hickory-Natural	54" X 42"	60" X 42"	36" X 48"	42" X 48"	48" X 48"	54" X 48"	60" X 48"
Mahogany-African							
Maple-Hard-Natural							
Oak-Red-Natural							
Oak-White-QS-Natural							

The installation of Range Hood and Ventilation Units are subject to local building code construction guidelines. It is your responsibility to ensure that the Range Hood, Liner and Blower do meet your local building code standards.

Curved Style Hoods

Range Hood Options

<p>ERS - Raised Panel Square Base Hood</p>  <p>OS</p>	Wood Species		ERS - Hood Part #'s and Sizes						
	Alder-Natural								
	Alder-Rustic								
	Beech-European-Steamed-Nat								
	Cherry-Natural								
	Hickory-Natural	36" X 30"	42" X 30"	48" X 30"	54" X 30"	60" X 30"	36" X 42"	42" X 42"	48" X 42"
	Mahogany-African								
	Maple-Hard-Natural								
	Oak-Red-Natural								
	Oak-White-QS-Natural								
	Wood Species		ERS - Hood Part #'s and Sizes						
	Alder-Natural								
Alder-Rustic									
Beech-European-Steamed-Nat									
Cherry-Natural									
Hickory-Natural	54" X 42"	60" X 42"	36" X 48"	42" X 48"	48" X 48"	54" X 48"	60" X 48"		
Mahogany-African									
Maple-Hard-Natural									
Oak-Red-Natural									
Oak-White-QS-Natural									

<p>ERSS - Raised Panel Square Base Hood (Single Panel)</p>  <p>OS</p>	Wood Species		ERSS - Hood Part #'s and Sizes						
	Alder-Natural								
	Alder-Rustic								
	Beech-European-Steamed-Nat								
	Cherry-Natural								
	Hickory-Natural	36" X 30"	42" X 30"	48" X 30"	54" X 30"	60" X 30"	36" X 42"	42" X 42"	48" X 42"
	Mahogany-African								
	Maple-Hard-Natural								
	Oak-Red-Natural								
	Oak-White-QS-Natural								
	Wood Species		ERSS - Hood Part #'s and Sizes						
	Alder-Natural								
Alder-Rustic									
Beech-European-Steamed-Nat									
Cherry-Natural									
Hickory-Natural	54" X 42"	60" X 42"	36" X 48"	42" X 48"	48" X 48"	54" X 48"	60" X 48"		
Mahogany-African									
Maple-Hard-Natural									
Oak-Red-Natural									
Oak-White-QS-Natural									

Ordering & Pricing Notes: E-Series Range Hood

Ordering Guidelines

1	Order Forms	Please use <i>Range Hoods Order Form (E-Z Form #12)</i> .
Pricing		
1	Pricing	Please see <i>Section P.4</i> of our current Wholesale Pricing Catalog .

Technical Notes: E-Series Range Hood

Range Hood Options (Chapter P)

1	Customization	See <i>Section P.7 - Range Hood Notes</i> .
2	Hood Liners	See <i>Section P.7 - Ventilation Units (Liners & Blowers)</i> .
3	Moldings	Base molding comes standard on the E-Series range hoods. You must select a molding package. See Range Hood Molding Options in <i>Section P.7</i> . Any other molding being used as an accessory with your range hood must be ordered separately using Order Form #5 . These <i>are not included</i> in the range hood price. See <i>Chapter N</i> for additional molding options.
4	Removable Top	Removable Tops are an <i>optional feature</i> , available for Series E, G, and T range hoods. See <i>Section P.7</i> .
5	Accent Components	Must be ordered separately, using Order Form # 5 , see options in <i>Chapter O and Section P.7 - Range Hood Notes</i> .
6	Raised Panel Bases	When ordering ERA, ERS or ERSS , you must select a Stile & Rail profile and a Center Panel profile. See options in <i>Section P.7 - Range Hood Notes</i> .
7	Hood and Ventilation Installation	Please see <i>Section P.7 - Range Hood Notes</i> regarding installation liability and local building code guidelines.

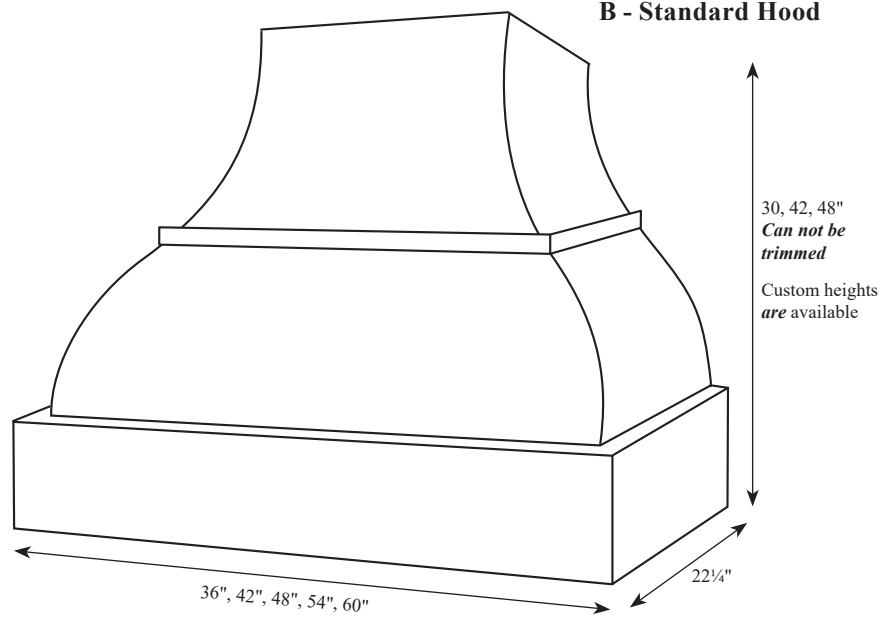
Sizes / Dimensions

1	Available Widths	Available in standard widths to fit a cook top up to 60" [1524.0mm] wide.
2	Chimney	Not recommended to be cut down in the field. Specify height at time of order.

Range Hood Options

Curved Style Hoods

B-Series Range Hoods



OS

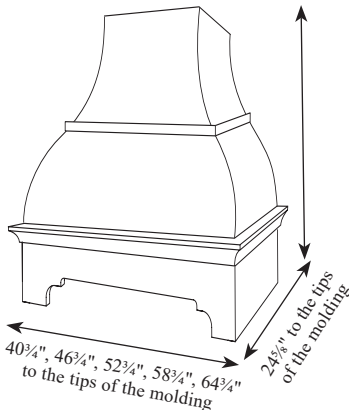
B - Hood Part #'s and Sizes

Wood Species	B-3630	B-4230	B-4830	B-5430	B-6030	B-3642	B-4242	B-4842	B-5442	B-6042	B-3648	B-4248	B-4848	B-5448	B-6048
Alder-Natural															
Alder-Rustic															
Beech-European-Steamed-Nat															
Cherry-Natural															
Hickory-Natural	36" X 30"	42" X 30"	48" X 30"	54" X 30"	60" X 30"	36" X 42"	42" X 42"	48" X 42"	54" X 42"	60" X 42"	36" X 48"	42" X 48"	48" X 48"	54" X 48"	60" X 48"
Mahogany-African															
Maple-Hard-Natural															
Oak-Red-Natural															
Oak-White-QS-Natural															

P

BDP1 - Decorative Panel Base Hood

30", 42", 48" Heights
Can not be trimmed.
Custom heights are available.



OS

Wood Species

Alder-Natural
Alder-Rustic
Beech-European-Steamed-Nat
Cherry-Natural
Hickory-Natural
Mahogany-African
Maple-Hard-Natural
Oak-Red-Natural
Oak-White-QS-Natural

Wood Species

Alder-Natural
Alder-Rustic
Beech-European-Steamed-Nat
Cherry-Natural
Hickory-Natural
Mahogany-African
Maple-Hard-Natural
Oak-Red-Natural
Oak-White-QS-Natural

BDP1 - Hood Part #'s and Sizes

BDP1-3630	BDP1-4230	BDP1-4830	BDP1-5430	BDP1-6030	BDP1-3642	BDP1-4242	BDP1-4842
36" X 30"	42" X 30"	48" X 30"	54" X 30"	60" X 30"	36" X 42"	42" X 42"	48" X 42"

BDP1 - Hood Part #'s and Sizes

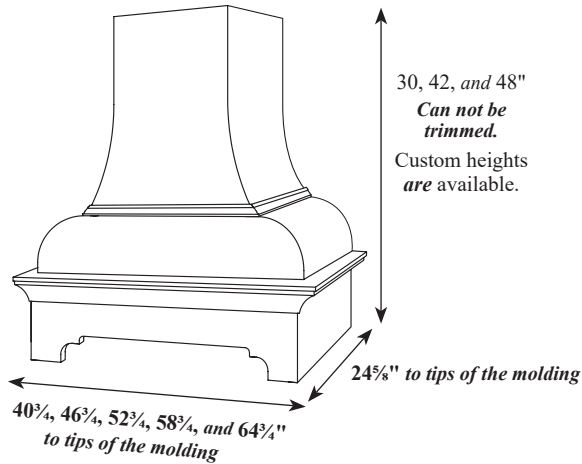
BDP1-5442	BDP1-6042	BDP1-3648	BDP1-4248	BDP1-4848	BDP1-5448	BDP1-6048
54" X 42"	60" X 42"	36" X 48"	42" X 48"	48" X 48"	54" X 48"	60" X 48"

OS = Product outsourced from other vendor.

► For PRICING ► See Section P.4 in our current Wholesale Pricing Catalog.

D-Series Range Hood

DDP1 - Standard Hood



D-Series Range Hood Notes

Ordering Guidelines

1 Order Forms Please use *Range Hoods Order Form (E•Z Form #12)*.

Pricing

1 Pricing Please see *Section P.4* of our current **Wholesale Pricing Catalog**.

Range Hood Options (P)

- 1 Customization See *Section P.7 - Range Hood Notes*.
- 2 Hood Liners See *Section P.7 - Ventilation Units (Liners & Blowers)*.
- 3 Moldings Base & Chimney Moldings come standard. See *Section P.7 - Range Hood Molding Options*.
- 4 Accent Components Must be ordered separately, using *Order Form # 5*. See options in *Chapter O* and *Section P.7 - Range Hood Notes*.
- 5 Hood and Ventilation Installation Please see *Section P.7 - Range Hood Notes* regarding installation liability and local building code guidelines.

Sizes / Dimensions

- 1 Available Widths Available in standard widths to fit a cook top up to 60" [1524.0mm] wide.
- 2 Overall Width For the overall width of the hood, measuring from tip to tip on the applied decorative molding, **add 4 3/4" [120.7mm] to the width listed in the grids below**.
- 3 Hood Height Available in three standard heights: 30" [762.0mm], 42" [1066.8mm] and 48" [1219.2mm].
The hood should **not** be trimmed in the field.

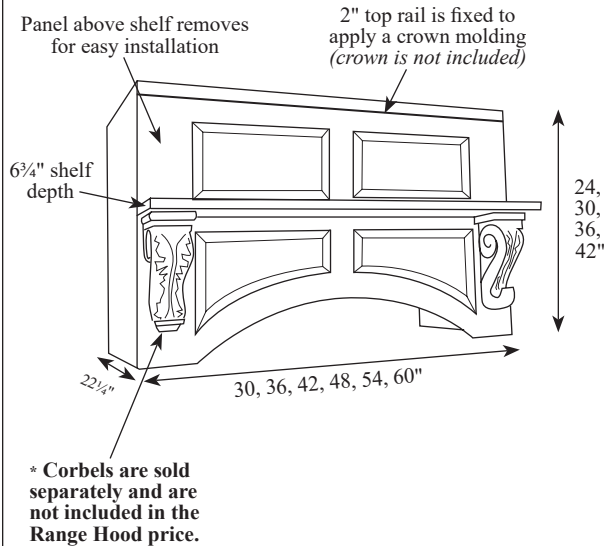
Wood Species	DDP1 - Hood Part #'s and Sizes							
	DDP1-3630	DDP1-4230	DDP1-4830	DDP1-5430	DDP1-6030	DDP1-3642	DDP1-4242	DDP1-4842
Alder-Natural								
Alder-Rustic								
Beech-European-Steamed-Natural								
Cherry-Natural								
Hickory-Natural	36" X 30"	42" X 30"	48" X 30"	54" X 30"	60" X 30"	36" X 42"	42" X 42"	48" X 42"
Mahogany-African								
Maple-Hard-Natural								
Oak-Red-Natural								
Oak-White-QS-Natural								

Wood Species	DDP1 - Hood Part #'s and Sizes						
	DDP1-5442	DDP1-6042	DDP1-3648	DDP1-4248	DDP1-4848	DDP1-5448	DDP1-6048
Alder-Natural							
Alder-Rustic							
Beech-European-Steamed-Natural							
Cherry-Natural							
Hickory-Natural	54" X 42"	60" X 42"	36" X 48"	42" X 48"	48" X 48"	54" X 48"	60" X 48"
Mahogany-African							
Maple-Hard-Natural							
Oak-Red-Natural							
Oak-White-QS-Natural							

► For PRICING ► See *Section P.4* in our current Wholesale Pricing Catalog.

M-Series Range Hood

MS - Style Raised Panel Hood



M-Series Range Hood Notes

Ordering Guidelines

1 Order Forms Please use *Range Hoods Order Form (E-Z Form #12)*.

Pricing

1 Pricing Please see *Section P.5* of our current Wholesale Pricing Catalog.

Range Hood Options (P)

1	Customization	See <i>Section P.7 - Range Hood Notes</i> .
2	Hood Liners	See <i>Section P.7 - Ventilation Units (Liners & Blowers)</i> .
3	Removable Panel with Shelf	M-Series range hoods come standard with a removable panel and shelf to help conceal the panel. See <i>Section P.7 - Range Hood Notes</i> .
4	Moldings	Crown moldings can be affixed to the top rail and must be ordered separately, using <i>Order Form # 5</i> . For Crown Molding options, see <i>Section N.1 - Crown Molding</i> .
5	Corbels	Standard corbel options will be provided at time of quote. Alternative options can be found in <i>Section O.2</i> . Space available for Corbel placement: 5"W x 5"D x 10"H [127.0mm x 254.0mm].
6	Raised Panel Arched Base Hood	When ordering, you must select a Stile and Rail Profile and a Center Panel Profile. See options in <i>Section P.7 - Range Hood Notes</i> .
7	Hood and Ventilation Installation	Please see <i>Section P.7 - Range Hood Notes</i> regarding installation liability and local building code guidelines.

Sizes / Dimensions

1 Available Widths Available in standard widths to fit a cook top up to 60" [1524.0mm] wide.

Wood Species

MS - Hood Part #'s and Sizes

MS-3024	MS-3624	MS-4224	MS-4824	MS-5424	MS-6024	MS-3030	MS-3630	MS-4230	MS-4830	MS-5430	MS-6030	
Alder-Natural												
Alder-Rustic												
Beech-European-Steamed-Nat												
Cherry-Natural												
Hickory-Natural	30" X 24"	36" X 24"	42" X 24"	48" X 24"	54" X 24"	60" X 24"	30" X 30"	36" X 30"	42" X 30"	48" X 30"	54" X 30"	60" X 30"
Mahogany-African												
Maple-Hard-Natural												
Oak-Red-Natural												
Oak-White-QS-Natural												

Wood Species

MS - Hood Part #'s and Sizes

MS-3036	MS-3636	MS-4236	MS-4836	MS-5436	MS-6036	MS-3042	MS-3642	MS-4242	MS-4842	MS-5442	MS-6042	
Alder-Natural												
Alder-Rustic												
Beech-European-Steamed-Nat												
Cherry-Natural												
Hickory-Natural	30" X 36"	36" X 36"	42" X 36"	48" X 36"	54" X 36"	60" X 36"	30" X 42"	36" X 42"	42" X 42"	48" X 42"	54" X 42"	60" X 42"
Mahogany-African												
Maple-Hard-Natural												
Oak-Red-Natural												
Oak-White-QS-Natural												

Wood Species

MS - Hood Part #'s and Sizes

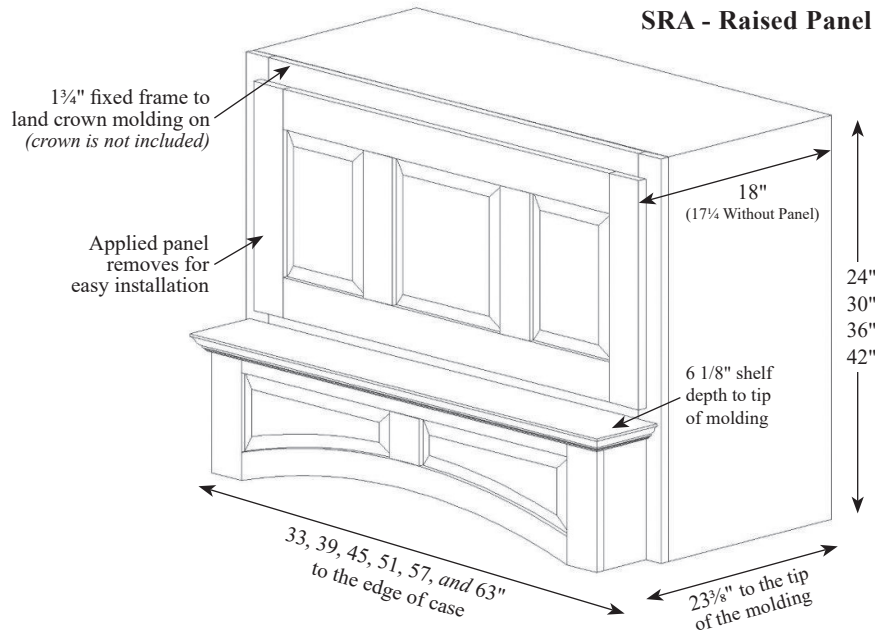
MS-3048	MS-3648	MS-4248	MS-4848	MS-5448	MS-6048	
Alder-Natural						
Alder-Rustic						
Beech-European-Steamed-Nat						
Cherry-Natural						
Hickory-Natural	30" X 48"	36" X 48"	42" X 48"	48" X 48"	54" X 48"	60" X 48"
Mahogany-African						
Maple-Hard-Natural						
Oak-Red-Natural						
Oak-White-QS-Natural						

Range Hood Options

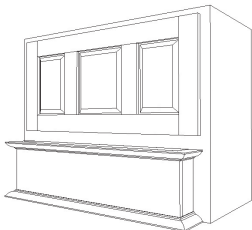
Mantel Style Hoods

S-Series Range Hoods

SRA - Raised Panel Arched Base Hood



S - Standard Hood



Wood Species

- Alder-Natural
- Alder-Rustic
- Beech-European-Steamed-Nat
- Cherry-Natural
- Hickory-Natural
- Mahogany-African
- Maple-Hard-Natural
- Oak-Red-Natural
- Oak-White-QS-Natural

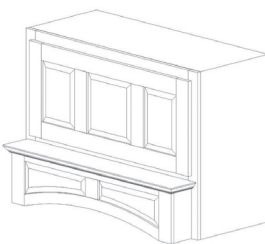
S - Hood Part #'s and Sizes											
S-3324	S-3924	S-4524	S-5124	S-5724	S-6324	S-3330	S-3930	S-4530	S-5130	S-5730	S-6330
33" x 24"	39" x 24"	45" x 24"	51" x 24"	57" x 24"	63" x 24"	33" x 30"	39" x 30"	45" x 30"	51" x 30"	57" x 30"	63" x 30"

Wood Species

- Alder-Natural
- Alder-Rustic
- Beech-European-Steamed-Nat
- Cherry-Natural
- Hickory-Natural
- Mahogany-African
- Maple-Hard-Natural
- Oak-Red-Natural
- Oak-White-QS-Natural

S - Hood Part #'s and Sizes											
S-3336	S-3936	S-4536	S-5136	S-5736	S-6336	S-3342	S-3942	S-4542	S-5142	S-5742	S-6342
33" x 36"	39" x 36"	45" x 36"	51" x 36"	57" x 36"	63" x 36"	33" x 42"	39" x 42"	45" x 42"	51" x 42"	57" x 42"	63" x 42"

SRA - Raised Panel Arched Base Hood



Wood Species

- Alder-Natural
- Alder-Rustic
- Beech-European-Steamed-Nat
- Cherry-Natural
- Hickory-Natural
- Mahogany-African
- Maple-Hard-Natural
- Oak-Red-Natural
- Oak-White-QS-Natural

SRA - Hood Part #'s and Sizes											
SRA-3324	SRA-3924	SRA-4524	SRA-5124	SRA-5724	SRA-6324	SRA-3330	SRA-3930	SRA-4530	SRA-5130	SRA-5730	SRA-6330
33" x 24"	39" x 24"	45" x 24"	51" x 24"	57" x 24"	63" x 24"	33" x 30"	39" x 30"	45" x 30"	51" x 30"	57" x 30"	63" x 30"

Wood Species

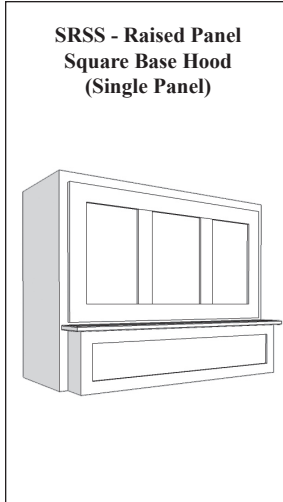
- Alder-Natural
- Alder-Rustic
- Beech-European-Steamed-Nat
- Cherry-Natural
- Hickory-Natural
- Mahogany-African
- Maple-Hard-Natural
- Oak-Red-Natural
- Oak-White-QS-Natural

SRA - Hood Part #'s and Sizes											
SRA-3336	SRA-3936	SRA-4536	SRA-5136	SRA-5736	SRA-6336	SRA-3342	SRA-3942	SRA-4542	SRA-5142	SRA-5742	SRA-6342
33" x 36"	39" x 36"	45" x 36"	51" x 36"	57" x 36"	63" x 36"	33" x 42"	39" x 42"	45" x 42"	51" x 42"	57" x 42"	63" x 42"



Mantel Style Hoods

Range Hood Options



SRSS - Raised Panel Square Base Hood (Single Panel)

Wood Species	SRSS - Hood Part #'s and Sizes											
	SRSS-3324	SRSS-3924	SRSS-4524	SRSS-5124	SRSS-5724	SRSS-6324	SRSS-3330	SRSS-3930	SRSS-4530	SRSS-5130	SRSS-5730	SRSS-6330
Alder-Natural												
Alder-Rustic												
Beech-European-Steamed-Nat												
Cherry-Natural												
Hickory-Natural	33" x 24"	39" x 24"	45" x 24"	51" x 24"	57" x 24"	63" x 24"	33" x 30"	39" x 30"	45" x 30"	51" x 30"	57" x 30"	63" x 30"
Mahogany-African												
Maple-Hard-Natural												
Oak-Red-Natural												
Oak-White-QS-Natural												

Wood Species	SRSS - Hood Part #'s and Sizes											
	SRSS-3336	SRSS-3936	SRSS-4536	SRSS-5136	SRSS-5736	SRSS-6336	SRSS-3342	SRSS-3942	SRSS-4542	SRSS-5142	SRSS-5742	SRSS-6342
Alder-Natural												
Alder-Rustic												
Beech-European-Steamed-Nat												
Cherry-Natural												
Hickory-Natural	33" x 36"	39" x 36"	45" x 36"	51" x 36"	57" x 36"	63" x 36"	33" x 42"	39" x 42"	45" x 42"	51" x 42"	57" x 42"	63" x 42"
Mahogany-African												
Maple-Hard-Natural												
Oak-Red-Natural												
Oak-White-QS-Natural												

Ordering & Pricing Notes: S-Series Range Hood

Ordering Guidelines

1	Order Forms	Please use <i>Range Hoods Order Form (E-Z Form #12)</i> .
Pricing		
1	Pricing	Please see <i>Section P.2</i> of our current Wholesale Pricing Catalog .

Technical Notes: S-Series Range Hood

Range Hood Options (Chapter P)

1	Customization	See <i>Section P.7 - Range Hood Notes</i> .
2	Hood Liners	See <i>Section P.7 - Ventilation Units (Liners & Blowers)</i> .
3	Removable Access Panel	Special removeable panel comes standard. See <i>Section P.7 - Range Hood Notes</i> .
4	Moldings	Crown moldings can be affixed to the top rail and must be ordered separately, using <i>Order Form # 5</i> . See <i>Section N.1 - Crown Molding</i> .
5	Accent Components	Must be ordered separately, using <i>Order Form # 5</i> , see options in <i>Chapter O and Section P.7 - Range Hood Notes</i> .
6	Raised Panel Bases	When ordering S, SRA or SRSS, you must select a Stile and Rail Profile and a Center Panel Profile. See options in <i>Section P.7 - Range Hood Notes</i> .
7	Hood and Ventilation Installation	Please see <i>Section P.7 - Range Hood Notes</i> regarding installation liability and local building code guidelines.

Sizes / Dimensions

1	Available Widths	Available in standard widths to fit a cook top up to 60" [1524.0mm] wide. The hood must be 3" [76.2mm] wider than the range.
---	------------------	---

The installation of Range Hood and Ventilation Units are subject to local building code construction guidelines. It is your responsibility to ensure that the Range Hood, Liner and Blower do meet your local building code standards.

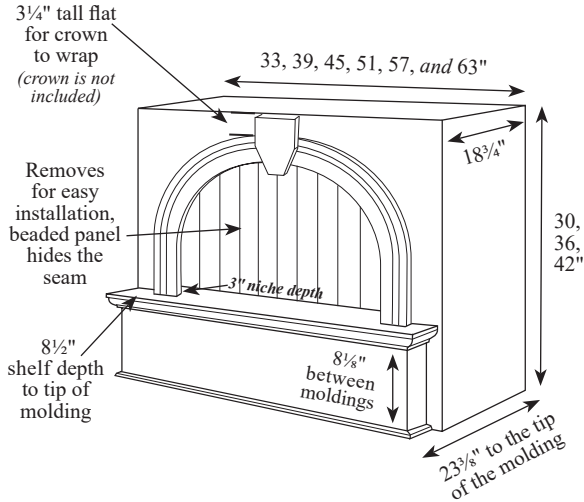
► For **PRICING** ► See *Section P.5* in our current Wholesale Pricing Catalog.

Range Hood Options

Mantel Style Hoods

A-Series Range Hoods

A - Standard Hood



A-Series Range Hood Notes

Ordering Guidelines

1 **Order Forms** Please use *Range Hoods Order Form (E-Z Form #12)*.

Pricing

1 **Pricing** Please see *Section P.5* of our current Wholesale Pricing Catalog.

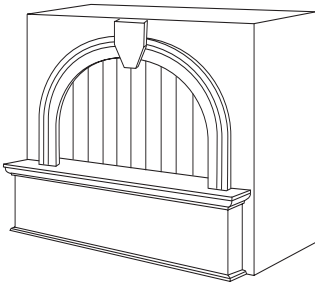
Range Hood Options (P)

- 1 **Customization** See *Section P.7 - Range Hood Notes*.
- 2 **Hood Liners** See *Section P.7 - Ventilation Units (Liners & Blowers)*.
- 3 **Removable Panel** Special removable panel comes standard. See *Section P.7*.
- 4 **Moldings** Crown moldings can be affixed to the top rail and must be ordered separately, using *Order Form # 5*. See *Section N.1 - Crown Molding*.
- 5 **Accent Components** Must be ordered separately, using *Order Form # 5*. See options in *Chapter O and Section P.7 - Range Hood Notes*.
- 6 **ARA - Raised Panel Arched Base Hood** When ordering, you must select a Stile and Rail Profile and a Center Panel Profile. See options in *Section P.7 - Range Hood Notes*.
- 7 **Hood and Ventilation Installation** Please see *Section P.7 - Range Hood Notes* regarding installation liability and local building code guidelines.

Sizes / Dimensions

1 **Available Widths** Available in standard widths to fit a cook top up to 60" [1524.0mm] wide. The hood must be 3" [76.2mm] wider than the range.

A - Standard Hood



Wood Species

- Alder-Natural
- Alder-Rustic
- Beech-European-Steamed-Nat
- Cherry-Natural
- Hickory-Natural
- Mahogany-African
- Maple-Hard-Natural
- Oak-Red-Natural
- Oak-White-QS-Natural

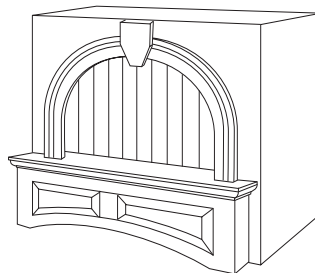
A - Hood Part #'s and Sizes								
A-3330	A-3930	A-4530	A-5130	A-5730	A-6330	A-3336	A-3936	A-4536
33" X 30"	39" X 30"	45" X 30"	51" X 30"	57" X 30"	63" X 30"	33" X 36"	39" X 36"	45" X 36"

Wood Species

- Alder-Natural
- Alder-Rustic
- Beech-European-Steamed-Nat
- Cherry-Natural
- Hickory-Natural
- Mahogany-African
- Maple-Hard-Natural
- Oak-Red-Natural
- Oak-White-QS-Natural

A - Hood Part #'s and Sizes								
A-5136	A-5736	A-6336	A-3342	A-3942	A-4542	A-5142	A-5742	A-6342
51" X 36"	57" X 36"	63" X 36"	33" X 42"	39" X 42"	45" X 42"	51" X 42"	57" X 42"	63" X 42"

ARA - Raised Panel Arched Hood



Wood Species

- Alder-Natural
- Alder-Rustic
- Beech-European-Steamed-Nat
- Cherry-Natural
- Hickory-Natural
- Mahogany-African
- Maple-Hard-Natural
- Oak-Red-Natural
- Oak-White-QS-Natural

ARA - Hood Part #'s and Sizes								
ARA-3330	ARA-3930	ARA-4530	ARA-5130	ARA-5730	ARA-6330	ARA-3336	ARA-3936	ARA-4536
33" X 30"	39" X 30"	45" X 30"	51" X 30"	57" X 30"	63" X 30"	33" X 36"	39" X 36"	45" X 36"

Wood Species

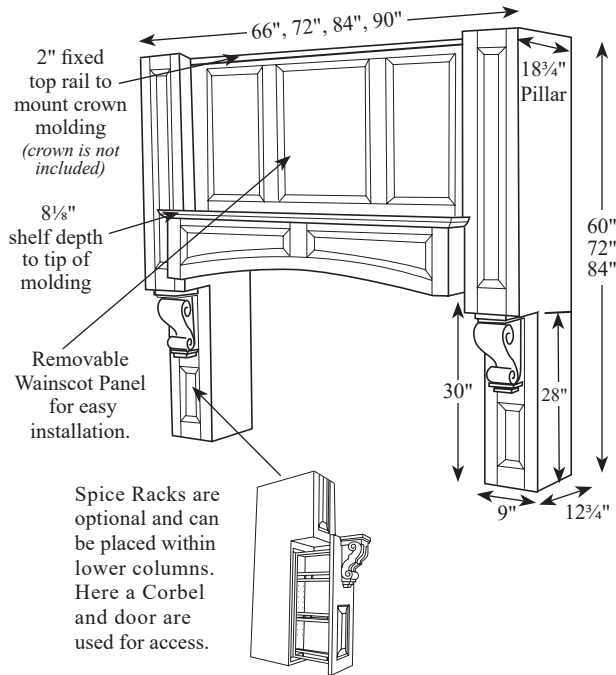
- Alder-Natural
- Alder-Rustic
- Beech-European-Steamed-Nat
- Cherry-Natural
- Hickory-Natural
- Mahogany-African
- Maple-Hard-Natural
- Oak-Red-Natural
- Oak-White-QS-Natural

ARA - Hood Part #'s and Sizes								
ARA-5136	ARA-5736	ARA-6336	ARA-3342	ARA-3942	ARA-4542	ARA-5142	ARA-5742	ARA-6342
51" X 36"	57" X 36"	63" X 36"	33" X 42"	39" X 42"	45" X 42"	51" X 42"	57" X 42"	63" X 42"



W-Series Range Hoods

WRA - Raised Panel Arched Hood



W-Series Range Hood Notes

Ordering Guidelines

1 Order Forms Please use *Range Hoods Order Form (E•Z Form #12)*.

Pricing

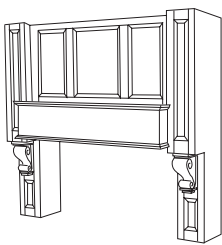
1 Pricing Please see *Section P.5* of our current **Wholesale Pricing Catalog**.

Range Hood Options (P)

1	Customization	See <i>Section P.7 - Range Hood Notes</i> .
2	Hood Liners	See <i>Section P.7 - Ventilation Units (Liners & Blowers)</i> .
3	Removable Panel	Range Hoods feature a special removable three panel wainscot that comes standard.
4	Moldings	Crown moldings can be affixed to the top rail and must be ordered separately, using <i>Order Form # 5</i> . See <i>Section N.1 - Crown Molding</i> .
5	Corbels	Standard corbel options will be provided at time of quote. Alternative options can be found in <i>Section O.2</i> . Space available for corbel is: 9"W x 6"D x 13"H [228.6mm x 152.4mm x 330.2mm].
6	W & WRA Raised Panel Hood	When ordering, you must select a Stile and Rail Profile and a Center Panel Profile. See options in <i>Section P.7 - Range Hood Notes</i> .
7	Hood and Ventilation Installation	Please see <i>Section P.7 - Range Hood Notes</i> regarding installation liability and local building code guidelines.
8	Design	W-Series Range Hoods mimic the cooking hearths of times past. The hood comes down to the counter. You must verify that there is sufficient distance between the column and the range to meet local code. <i>(In most areas, tiling the inside of the column eliminates this requirement.)</i>
9	Spice Rack	A Spice Rack within the lower cabinet is optional and must be ordered separately. You may use a small door and corbel to access as we feature here; or a full height door may also be used. See <i>Section P.7 - Notes</i> .

P

W- Standard Hood



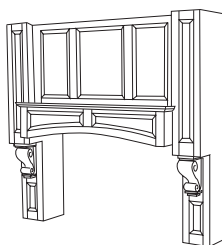
Wood Species

Alder-Natural
Alder-Rustic
Beech-European-Steamed-Nat
Cherry-Natural
Hickory-Natural
Mahogany-African
Maple-Hard-Natural
Oak-Red-Natural
Oak-White-QS-Natural

W - Hood Part #'s and Sizes

W6660	W7260	W8460	W9060	W6672	W7272	W8472	W9072	W6684	W7284	W8484	W9084

WRA - Raised Panel Arched Hood



Wood Species

Alder-Natural
Alder-Rustic
Beech-European-Steamed-Nat
Cherry-Natural
Hickory-Natural
Mahogany-African
Maple-Hard-Natural
Oak-Red-Natural
Oak-White-QS-Natural

WRA - Hood Part #'s and Sizes

WRA6660	WRA7260	WRA8460	WRA9060	WRA6672	WRA7272	WRA8472	WRA9072	WRA6684	WRA7284	WRA8484	WRA9084

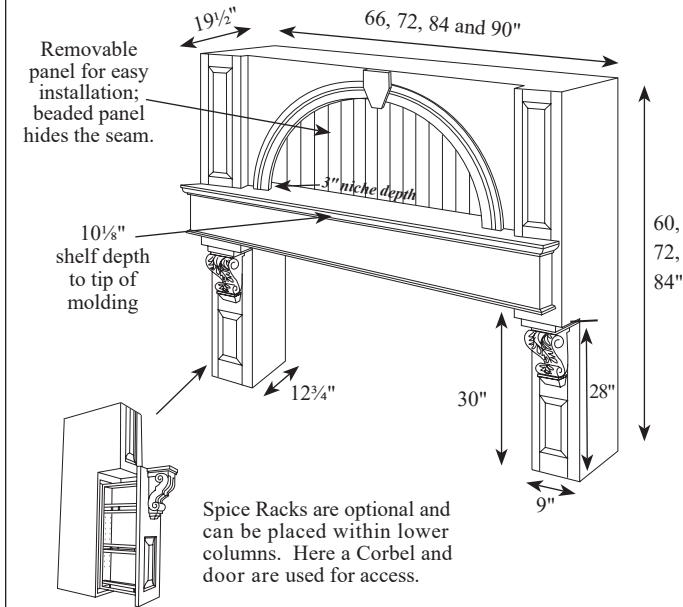
► For PRICING ► See *Section P.5* in our current Wholesale Pricing Catalog.

Range Hood Options

Mantel Style Hoods

O-Series Range Hoods

O - Standard Hood



O-Series Range Hood Notes

Ordering Guidelines

1 Order Forms Please use *Range Hoods Order Form (E•Z Form #12)*.

Pricing

1 Pricing Please see *Section P.5* of our current **Wholesale Pricing Catalog**.

Range Hood Options (P)

1	Customization	See <i>Section P.7 - Range Hood Notes</i> .
2	Hood Liners	See <i>Section P.7 - Ventilation Units (Liners & Blowers)</i> .
3	Removable Panel	The beaded plywood panel comes standard and is removable for easy installation.
4	Corbels	Standard corbel options will be provided at time of quote. Alternative options can be found in <i>Section O.2</i> . Space available for corbel is: 9"W x 6"D x 13"H [228.6mm x 152.4mm x 330.2mm].
5	Raised Panel Hood	When ordering, you must select a Stile and Rail Profile and a Center Panel Profile. See options in <i>Section P.7 - Range Hood Notes</i> .
6	Hood and Ventilation Installation	Please see <i>Section P.7 - Range Hood Notes</i> regarding installation liability and local building code guidelines.
7	Design	These Range Hoods mimic the cooking hearths of times past. The hood comes down to the counter. You must verify that there is sufficient distance between the column and the range to meet local code. <i>(In most areas, tiling the inside of the column eliminates this requirement.)</i>
8	Spice Rack	A Spice Rack in the lower cabinet is optional and must be ordered separately. You may use a small door and corbel to access as we feature here, or a full height door may also be used. See <i>Section P.7 - Notes</i> .

Wood Species

O - Hood Part #'s and Size

	O6660	O7260	O8460	O9060	O6672	O7272
Alder-Natural						
Alder-Rustic						
Beech-European-Steamed-Natural						
Cherry-Natural						
Hickory-Natural	66" X 60"	72" X 60"	84" X 60"	90" X 60"	66" X 72"	72" X 72"
Mahogany-African						
Maple-Hard-Natural						
Oak-Red-Natural						
Oak-White-QS-Natural						

Wood Species

O - Hood Part #'s and Size

	O8472	O9072	O6684	O7284	O8484	O9084
Alder-Natural						
Alder-Rustic						
Beech-European-Steamed-Natural						
Cherry-Natural						
Hickory-Natural	84" X 72"	90" X 72"	66" X 84"	72" X 84"	84" X 84"	90" X 84"
Mahogany-African						
Maple-Hard-Natural						
Oak-Red-Natural						
Oak-White-QS-Natural						

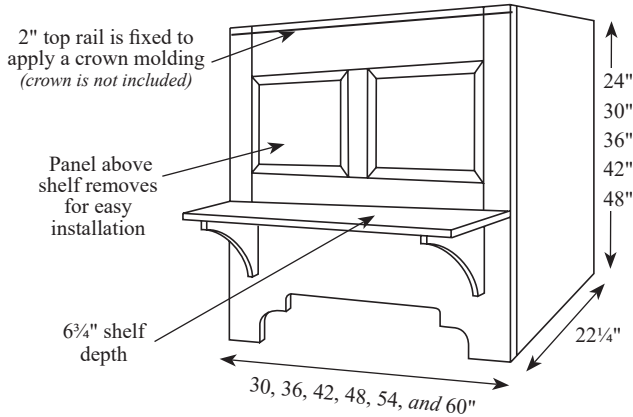
► For PRICING ► See *Section P.5* in our current Wholesale Pricing Catalog.

Mantel Style Hoods

Range Hood Options

Q-Series Range Hood

QBKT - Standard Valance Hood



Q-Series Range Hood Notes

Ordering Guidelines

1 Order Forms Please use *Range Hoods Order Form (E-Z Form #12)*.

Pricing

1 Pricing Please see *Section P.5* of our current **Wholesale Pricing Catalog**.

Range Hood Options (P)

1	Customization	See <i>Section P.7 - Range Hood Notes</i> .
2	Hood Liners	See <i>Section P.7 - Ventilation Units (Liners & Blowers)</i> .
3	Removable Panel	Special removable panel comes standard. See <i>Section P.7</i> .
4	Moldings	Crown moldings can be affixed to the top rail and must be ordered separately, using <i>Order Form #5</i> . See <i>Section N.1 - Crown Molding</i> .
5	Brackets/Corbels	Brackets shown are included with the range hood. Standard corbel options will be provided at time of quote. Alternative options can be found in <i>Section O.2</i> .
6	QBKT - Raised Panel Hood	When ordering, you must select a Stile and Rail Profile and a Center Panel Profile. See options in <i>Section P.7 - Range Hood Notes</i> .
7	Hood and Ventilation Installation	Please see <i>Section P.7 - Range Hood Notes</i> regarding installation liability and local building code guidelines.

Sizes / Dimensions

1 Available Widths Available in standard widths to fit a cook top up to 60" [1524.0mm] wide.

Wood Species	Q - Hood Part #'s and Size									
	QBKT-3024	QBKT-3624	QBKT-4224	QBKT-4824	QBKT-5424	QBKT-6024	QBKT-3030	QBKT-3630	QBKT-4230	QBKT-4830
Alder-Natural										
Alder-Rustic										
Beech-European-Steamed-Nat										
Cherry-Natural										
Hickory-Natural	30" X 24"	36" X 24"	42" X 24"	48" X 24"	54" X 24"	60" X 24"	30" X 30"	36" X 30"	42" X 30"	48" X 30"
Mahogany-African										
Maple-Hard-Natural										
Oak-Red-Natural										
Oak-White-QS-Natural										

Wood Species	Q - Hood Part #'s and Size									
	QBKT-5430	QBKT-6030	QBKT-3036	QBKT-3636	QBKT-4236	QBKT-4836	QBKT-5436	QBKT-6036	QBKT-3042	QBKT-3642
Alder-Natural										
Alder-Rustic										
Beech-European-Steamed-Nat										
Cherry-Natural										
Hickory-Natural	54" X 30"	60" X 30"	30" X 36"	36" X 36"	42" X 36"	48" X 36"	54" X 36"	60" X 36"	30" X 42"	36" X 42"
Mahogany-African										
Maple-Hard-Natural										
Oak-Red-Natural										
Oak-White-QS-Natural										

Wood Species	Q - Hood Part #'s and Size									
	QBKT-4242	QBKT-4842	QBKT-5442	QBKT-6042	QBKT-3048	QBKT-3648	QBKT-4248	QBKT-4848	QBKT-5448	QBKT-6048
Alder-Natural										
Alder-Rustic										
Beech-European-Steamed-Nat										
Cherry-Natural										
Hickory-Natural	42" X 42"	48" X 42"	54" X 42"	60" X 42"	30" X 48"	36" X 48"	42" X 48"	48" X 48"	54" X 48"	60" X 48"
Mahogany-African										
Maple-Hard-Natural										
Oak-Red-Natural										
Oak-White-QS-Natural										

► For PRICING ► See Section P.5 in our Wholesale Pricing Catalog.

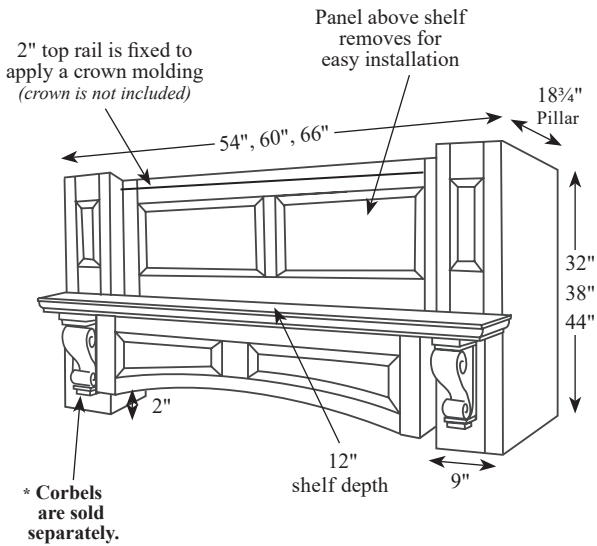


Range Hood Options

Hearth Style Hoods

N-Series Range Hoods

NRA - Raised Panel Arched Base Hood



N-Series Range Hood Notes

Ordering Guidelines

1 **Order Forms** Please use *Range Hoods Order Form (E-Z Form #12)*.

Pricing

1 **Pricing** Please see *Section P.6* of our current **Wholesale Pricing Catalog**.

Range Hood Options (P)

1 **Customization** See *Section P.7 - Range Hood Notes*.

2 **Hood Liners** See *Section P.7 - Ventilation Units (Liners & Blowers)*.

3 **Removable Panel** Range Hoods feature a special removable wainscot panel that comes standard.
 54" [1371.6mm] and 60" [1524.0mm] N-Series Range Hoods will have 2 panels in the top Wainscot.
 66" [1676.4mm] N-Series Range Hoods will have 3 panels in the top Wainscot.

4 **Moldings** Crown moldings can be affixed to the top rail and must be ordered separately, using *Order Form # 5*. See *Section N.1 - Crown Molding*

5 **Corbels** Standard corbel options will be provided at time of quote. Alternative options can be found in *Section O.2*.
 Space available for corbel is: 5"W x 6"D x 12 1/4"H, [127.0mm x 152.4mm x 311.2mm].

6 **NRA - Raised Panel Arched Base Hood** When ordering, you must select a Stile and Rail Profile and a Center Panel Profile. See options in *Section P.7 - Range Hood Notes*.

7 **Hood and Ventilation Installation** Please see *Section P.7 - Range Hood Notes* regarding installation liability and local building code guidelines.

8 **Design** N-Series Range Hoods are hearth style hoods that *do not* go to the counter.

Wood Species

NRA - Hood Part #'s and Sizes

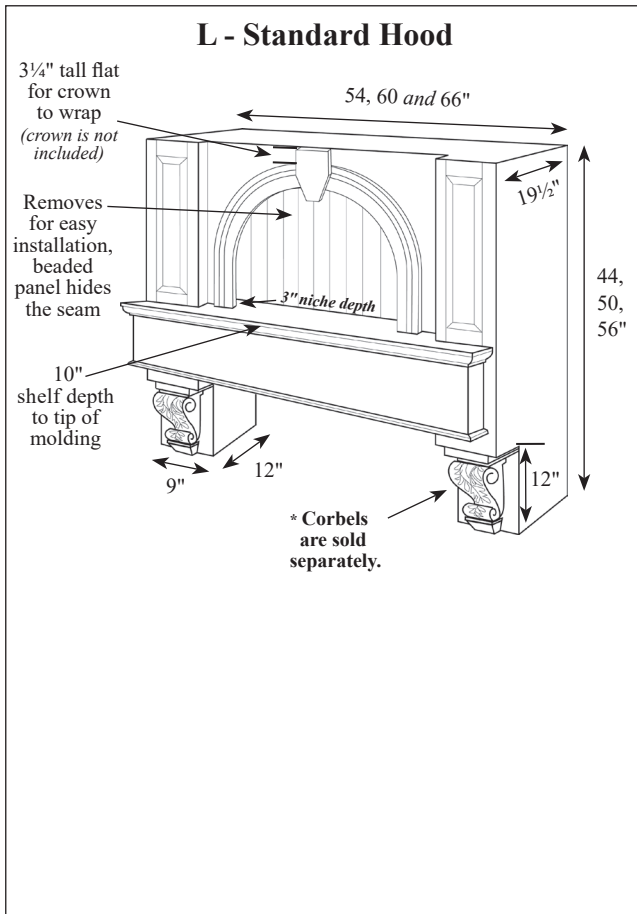
	NRA-5432	NRA-6032	NRA-6632	NRA-5438	NRA-6038	NRA-6638	NRA-5444	NRA-6044	NRA-6644
Alder-Natural									
Alder-Rustic									
Beech-European-Steamed-Natural									
Cherry-Natural									
Hickory-Natural	54" X 32"	60" X 32"	66" X 32"	54" X 38"	60" X 38"	66" X 38"	54" X 44"	60" X 44"	66" X 44"
Mahogany-African									
Maple-Hard-Natural									
Oak-Red-Natural									
Oak-White-QS-Natural									

The installation of Range Hood and Ventilation Units are subject to local building code construction guidelines. It is your responsibility to ensure that the Range Hood, Liner and Blower do meet your local building code standards.

► For PRICING ► See Section P.6 in our current Wholesale Pricing Catalog.



L-Series Range Hoods



L-Series Range Hood Notes

Ordering Guidelines		
1	Order Forms	Please use <i>Range Hoods Order Form (E-Z Form #12)</i> .
Pricing		
1	Pricing	Please see <i>Section P.6</i> of our current Wholesale Pricing Catalog .
Range Hood Options (P)		
1	Customization	See <i>Section P.7 - Range Hood Notes</i> .
2	Hood Liners	See <i>Section P.7 - Ventilation Units (Liners & Blowers)</i> .
3	Removable Panel	Special removable panel comes standard. See <i>Section P.7</i> .
4	Moldings	Crown moldings can be affixed to the top rail and must be ordered separately, using <i>Order Form # 5</i> . See <i>Section N.1 - Crown Molding</i> .
5	Corbels	Standard corbel options will be provided at time of quote. Alternative options can be found in <i>Section O.2</i> . Space available for Corbel is: 9"W x 7 1/2"D x 12" H, [228.6mm x 190.5mm x 304.8mm].
6	Raised Panel Hood	When ordering, you must select a Stile and Rail Profile and a Center Panel Profile. See options in <i>Section P.7 - Range Hood Notes</i> .
7	Hood and Ventilation Installation	Please see <i>Section P.7 - Range Hood Notes</i> regarding installation liability and local building code guidelines.
Sizes / Dimensions		
1	Available Widths	Available in standard widths to fit a cook top up to 60" [1524.0mm] wide.

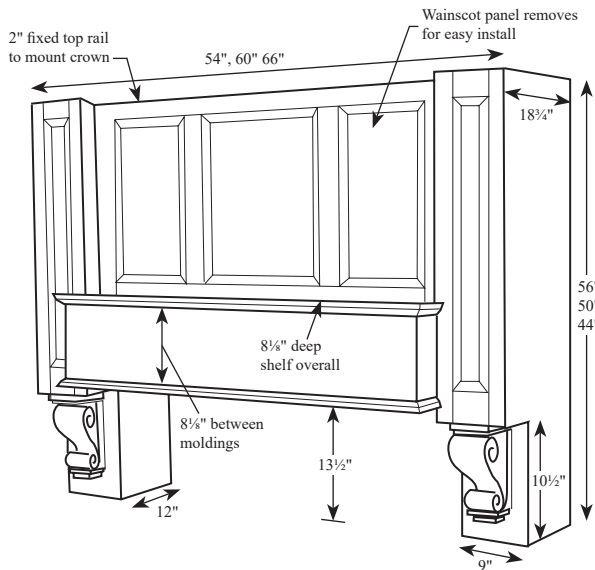
Wood Species	L - Hood Part #'s and Sizes								
	L-5444	L-6044	L-6644	L-5450	L-6050	L-6650	L-5456	L-6056	L-6656
Alder-Natural									
Alder-Rustic									
Beech-European-Steamed-Natural									
Cherry-Natural									
Hickory-Natural	54" X 44"	60" X 44"	66" X 44"	54" X 50"	60" X 50"	66" X 50"	54" X 56"	60" X 56"	66" X 56"
Mahogany-African									
Maple-Hard-Natural									
Oak-Red-Natural									
Oak-White-QS-Natural									

The installation of Range Hood and Ventilation Units are subject to local building code construction guidelines. It is your responsibility to ensure that the Range Hood, Liner and Blower do meet your local building code standards.

► **For PRICING** ► See *Section P.6* in our current Wholesale Pricing Catalog.

H-Series Range Hoods

H - Standard Hood



H-Series Range Hood Notes

Ordering Guidelines

1 **Order Forms** Please use *Range Hoods Order Form (E-Z Form #12)*.

Pricing

1 **Pricing** Please see *Section P.6* of our current **Wholesale Pricing Catalog**.

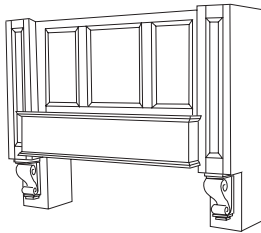
Range Hood Options (P)

1	Customization	See <i>Section P.7 - Range Hood Notes</i> .
2	Hood Liners	See <i>Section P.7 - Ventilation Units (Liners & Blowers)</i> .
3	Removable Panel	Special removable panel comes standard. See <i>Section P.7</i> . Removable wainscot panel for the 54" [1371.6mm] and 60" [1524.0mm] wide models are only two panels wide.
4	Moldings	Crown moldings can be affixed to the top rail and must be ordered separately, using <i>Order Form # 5</i> . See <i>Section N.1 - Crown Molding</i> .
5	Corbels	Standard corbel options will be provided at time of quote. Alternative options can be found in <i>Section O.2</i> . Space available for corbel is: Approximately 5"W x 5"D x 10"H, [127.0mm x 127.0mm x 254.0mm].
6	Raised Panel Hood	When ordering, you must select a Stile and Rail Profile. See options in <i>Section P.7 - Range Hood Notes</i> .
7	Hood and Ventilation Installation	Please see <i>Section P.7 - Range Hood Notes</i> regarding installation liability and local building code guidelines.

Sizes / Dimensions

1 **Available Widths** Available in standard widths to fit a cook top up to 48" [1219.2mm] wide.

H - Standard Hood



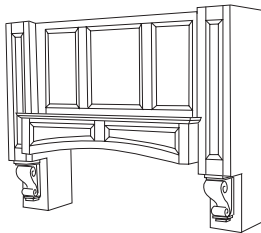
Wood Species

Alder-Natural
Alder-Rustic
Beech-European-Steamed-Natural
Cherry-Natural
Hickory-Natural
Mahogany-African
Maple-Hard-Natural
Oak-Red-Natural
Oak-White-QS-Natural

H - Hood Part #'s and Sizes

H-5444	H-6044	H-6644	H-5450	H-6050	H-6650	H-5456	H-6056	H-6656
54" X 44"	60" X 44"	66" X 44"	54" X 50"	60" X 50"	66" X 50"	54" X 56"	60" X 56"	66" X 56"

HRA - Raised Panel Arched Hood



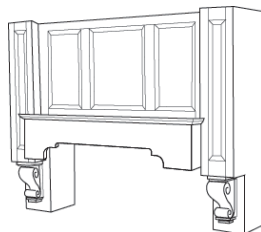
Wood Species

Alder-Natural
Alder-Rustic
Beech-European-Steamed-Natural
Cherry-Natural
Hickory-Natural
Mahogany-African
Maple-Hard-Natural
Oak-Red-Natural
Oak-White-QS-Natural

HRA - Hood Part #'s and Sizes

HRA-5444	HRA-6044	HRA-6644	HRA-5450	HRA-6050	HRA-6650	HRA-5456	HRA-6056	HRA-6656
54" X 44"	60" X 44"	66" X 44"	54" X 50"	60" X 50"	66" X 50"	54" X 56"	60" X 56"	66" X 56"

HDP1 - Decorative Panel Hood



Wood Species

Alder-Natural
Alder-Rustic
Beech-European-Steamed-Natural
Cherry-Natural
Hickory-Natural
Mahogany-African
Maple-Hard-Natural
Oak-Red-Natural
Oak-White-QS-Natural

HDP1 - Hood Part #'s and Sizes

HDP1-5444	HDP1-6044	HDP1-6644	HDP1-5450	HDP1-6050	HDP1-6650	HDP1-5456	HDP1-6056	HDP1-6656
54" X 44"	60" X 44"	66" X 44"	54" X 50"	60" X 50"	66" X 50"	54" X 56"	60" X 56"	66" X 56"

General Information

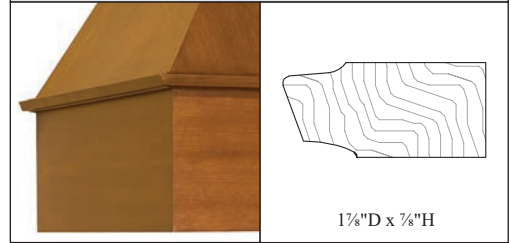
Range Hood Options

Range Hood Molding Options

- The **Vchim** series of hoods are only available with the molding shown.
- The **G, T, I, E, J, S, A** and **W** series of hoods have two molding options to choose from:
 - Molding Package 1 - Classic (WalzCraft Molding #1924 and #1925).
 - Molding Package 2 - Simple (Similar to WalzCraft Molding #398).
- The **B, D, L, N, H** and **O** series of hoods have two molding options to choose from:
 - Molding Package 1 - Classic (Similar to WalzCraft Molding #1376).
 - Molding Package 2 - Simple (Similar to WalzCraft Molding #383).
- Moldings shown are not to scale. Please see molding section of this catalog for more information.

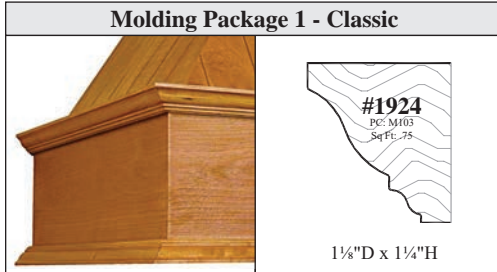
Vchim-Series Range Hood Molding

Vchim Series Base & Chimney Molding

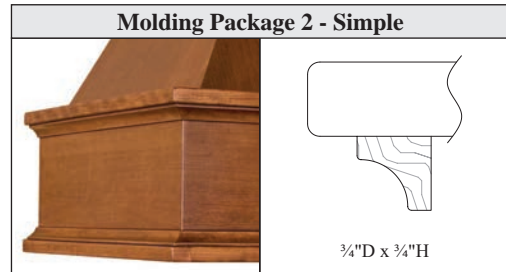


Range Hood Series G, T, I, E, J, S, A and W - Molding Options

Molding Package 1 - Classic

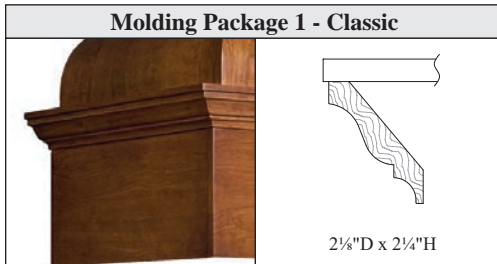


Molding Package 2 - Simple

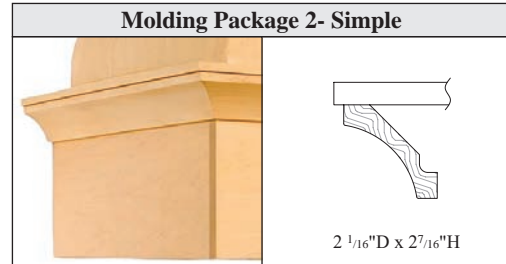


Range Hood Series B, D, L, N, H and O - Molding Options

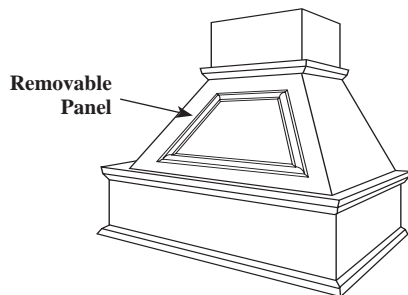
Molding Package 1 - Classic



Molding Package 2- Simple



Removable Exhaust Fan Access Panel Options for Range Hoods



- **Removable Exhaust Fan Access Panel**
 - Available on **G, I, J, P** and **T** Series Range Hoods and must be ordered separately.
- When ordering, please specify the Range Hood Series and note the Exhaust Fan Access Panel option.
- To cover the removable access panel, an applied molding is used to complete the look.



- **Removable Panel** for easy access to ventilation or duct work. *This is a standard feature on the M, Q, S, N, A, O, L, H and W Series Range Hoods.* When ordering, there is no need to specify an exhaust fan access panel option.
- The removable panel on the **M, Q, S, N** and **W** Series Range Hoods is held in place with clips. When assembled, the visible seam on the top rail can be concealed with the addition of a Crown Molding (*sold separately*). The seam on the center rail will be concealed with a shelf which comes standard with the hood.

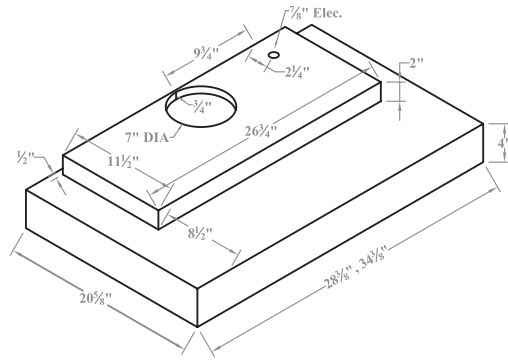
► **For PRICING** ► See Section **P.1** in our current Wholesale Pricing Catalog.

Imperial Standard Liners/Ventilators - ISL360



ISL360 Liner/Ventilator

- LED lighting
- Two speed fan control
- Large, easy to clean filters
- Internal motor
- Sizes to fit 30" through 36" hoods
- Stainless steel construction



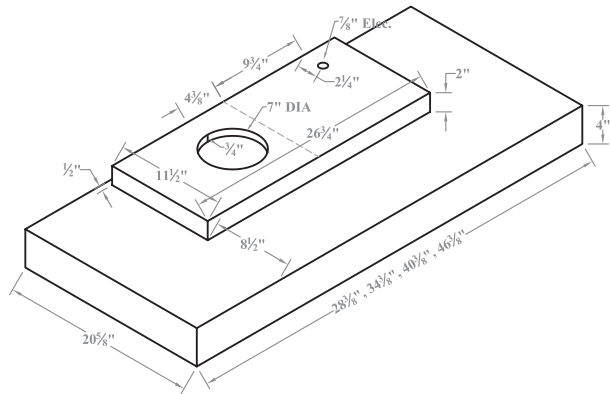
OS

Imperial Premium Liners/Ventilators - IPL635



IPL635 Liner/Ventilator

- Dimmer controlled LED lighting
- Variable speed fan control
- Large, easy to clean filters
- Two internal motor combinations
- Sizes to fit 30" through 48" hoods
- Stainless steel construction
- Heat controlled automatic turn on



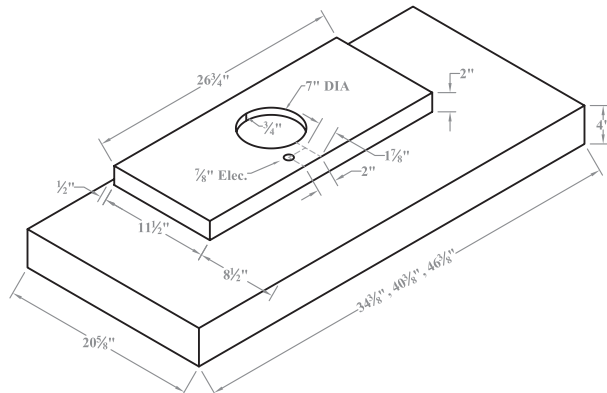
OS

Imperial Premium Liners/Ventilators - IPL990



IPL990 Liner/Ventilator

- Dimmer controlled LED lighting
- Variable speed fan control
- Large, easy to clean filters
- Two internal motor combinations
- Sizes to fit 30" through 48" hoods
- Stainless steel construction
- Heat controlled automatic turn on



OS

OS = Product outsourced from other vendor.

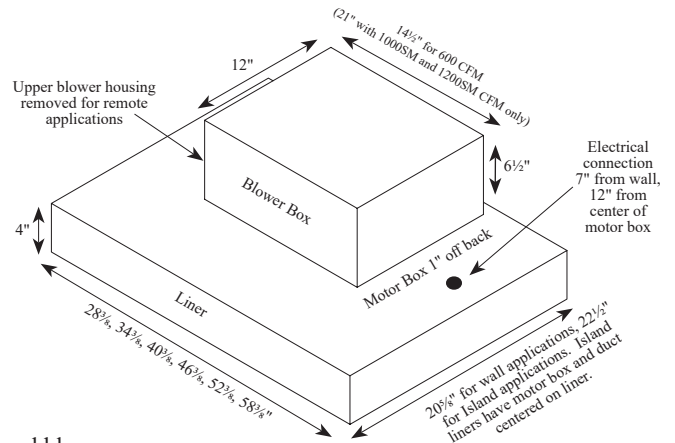
The installation of Range Hood and Ventilation Units are subject to local building code construction guidelines. It is your responsibility to ensure that the Range Hood, Liner and Blower meet your local building code standards.

► For PRICING ► See Section P.1 in our current Wholesale Pricing Catalog.

General Information

Range Hood Options

Professional Mesh Liners/Ventilators - SM600, PML600, PML100SM, PML1200SM, PML600R, PML1200R, PML1500R



SM & PML Liner/Ventilators

- Dimmer controlled halogen or LED lighting
- Variable speed fan control
- Dishwasher safe filters
- Internal and external blowers
- Sizes to fit 30" through 60" hoods
- 22 gauge stainless steel construction

OS

Model #	Blower Type	CFM Rating	Amps	Ducting	Suggested Use
SM600 w/ 300 CFM Converter	Internal	300	5.0, 110V	8" Round	Standard range requiring less than 300 CFM and air makeup system not desired.
PML600	Internal	600	5.0, 110V	8" Round	Standard range or small commercial range.
PML1000SM	Internal	1000	7.0, 110V	10" Round	Commercial range up to 48" wide without grill.
PML1200SM	Internal	1200	7.0, 110V	10" Round	Commercial range up to 48" wide without grill (not available for 30" wide liners).
PML600R	External	600	7.0, 110V	10" Round	36" or smaller commercial range without grill.
PML1200R	External	1200	7.0, 110V	10" Round	Any commercial range without grill.
PML1500R	External	1500	7.0, 110V	10" round	Any range with WOK and / or grill.
ISL360	Internal	360	9.0, 110V	7" Round	Standard residential cooking with a 4 or 5 burner cooking surface.
IPL635	Internal	635	9.0, 110V	7" Round, 4 3/8" off center, left	Standard residential cooking with a 4 or 5 burner cooking surface. Also, 30" and select 36" professional style ranges.
IPL990	Internal	990	9.0, 110V	10" Round w/ 7" transition	Six burner 36" professional style ranges.

Note: SM & PML 30" to 42" have (2) 50W halogen lights, 48" has (3) 50W halogen lights, 54" to 60" have (4) 50W halogen lights (LED bulbs available). Halogen lights not available in California (CA).

Note: 30" wide Vchim series range hoods utilizing SM600 or PML600 will need the 8" round duct converted to a 6" or less round duct (with a transition piece, not supplied) if ducting will be directed through the top of the hood/chimney.

Liner/Ventilator notes continued on next page...

OS = Product outsourced from other vendor.

The installation of Range Hood and Ventilation Units are subject to local building code construction guidelines. It is your responsibility to ensure that the Range Hood, Liner and Blower meet your local building code standards.

► For PRICING ► See Section P.1 in our current Wholesale Pricing Catalog.



99.7% American Made

P.7.3
V18.1

Range Hood Options

General Information

SM600, PML600, PML100SM, PML1200SM, PML600R, PML1200R, PML1500R

Wood Hood Model and Size	Size of Liner that Fits Hood (Actual Width of Liner)					
	30 (28 3/4")	36 (34 3/4")	42 (40 3/4")	48 (46 3/4")	54 (52 3/4")	60 (58 3/4")
Vchim, G, T, I*	30	36**	42	48	54	60
E, D, B	NA	36	42	48	54	60
W, O	NA	NA	NA	66	72	84, 90
H, L, N	NA	54	60	66	72	84
M, Q	30	36	42	48	54	60
S, J, A, P	33	39	45	51	57	63

* = Requires island liner. ** = 1000CFM internal blower will not fit in 36" island hood.

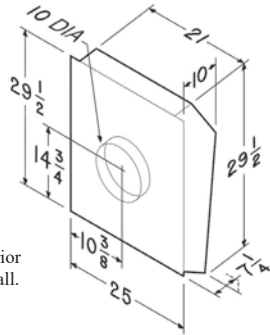
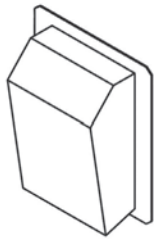
ISL360

Wood Hood Model and Size	Size of Liner that Fits Hood (Actual Width of Liner)	
	30 (28 3/4")	36 (34 3/4")
Vchim	30	36
G, T	NA	36
E, D, B	42	48
W, O	NA	NA
H, L, N	NA	54
M, Q	30	36
S, J, A, P	33	39

IPL635, IPL990

Wood Hood Model and Size	Size of Liner that Fits Hood (Actual Width of Liner)			
	30 (28 3/4")	36 (34 3/4")	42 (40 3/4")	48 (46 3/4")
Vchim	30	36	42	48
G, T, E	NA	36	42	48
D, B	NA	36	42	48
W, O	NA	NA	NA	66
H, L, N	NA	54	60	66
M, Q	30	36	42	48
S, J, A, P	33	39	45	51

Example of External Blower



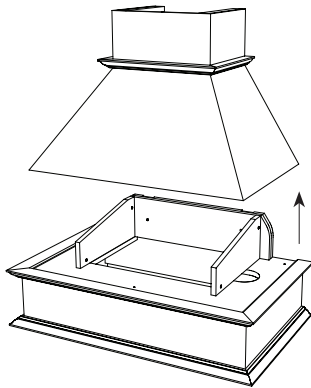
- Exterior blower units are mounted on the exterior of the home on either the roof or an outside wall.
- Actual unit dimensions and shape may vary.

P

The installation of Range Hood and Ventilation Units are subject to local building code construction guidelines. It is your responsibility to ensure that the Range Hood, Liner and Blower meet your local building code standards.

► For PRICING ► See Section P.1 in our current Wholesale Pricing Catalog.

Removable Top Option for Range Hoods



- **Removable Top Option** is available to aid installation. *This is an optional feature on the E, G, and T Series Range Hoods.* This feature is available at **no additional charge**.
- Allows installer to install the base and ventilation - then the top. Requires a minimum of 3/4" [19.1mm] clearance to lift top over base clips.
- Installation instructions will be shipped with the product but can also be found on our website: *see Resources / Technical Information.*
- Please note that cutting or modification of any structural parts of this hood will result in loss of warranty.

Ordering & Pricing Notes: Range Hoods - General Information

Ordering Guidelines

1	Order Forms ↑	Please use <i>Range Hoods Order Form (E•Z Form #12)</i> .
Pricing		
1	Pricing	Please see <i>Section P.1</i> of our current Wholesale Pricing Catalog .

Technical Notes: Range Hoods - General Information

Accent Component Options (Chapter O)

1	Accent Components	Accent components are available for range hoods and must be ordered separately by part # using <i>Order Form #5</i> . These are not included in the range hood price. See <i>Chapter O</i> .
---	-------------------	--

Design Options (Chapter G)

1	Simulated Distressing	Available with all Simulated Distressing options in <i>Section G.14</i> .
---	-----------------------	---

Finish Options (Chapter R)

1	Finishing	Finishing is available. See <i>Chapter R</i> for finishing options.
---	-----------	---

Molding Options (Chapter N)

1	Molding Options	<p>Classic 1 or Simple 1 Molding Options are available with the Series A, E, G, I, J, S, T and W range hoods and are included in the price.</p> <p>Classic 2 or Simple 2 Molding Options are available with the Series B, D, L, N, H and O range hoods and are included in the price.</p> <p>All other moldings used as range hood accessories must be ordered separately by part # using <i>Order Form #5</i>. • These are sold in 8' lengths only and are not included in the range hood price. See <i>Chapter N</i>.</p>
---	-----------------	--

Profile Options (Chapter E)

1	Stile & Rail Profiles and Center Panel Profiles	<p>WalzCraft sources Range Hoods from an outside vendor. The outside vendor offers a limited number of profiles, but does offer seven stile & rail profiles and five center panel profiles that are an approximate match to WalzCraft profiles.</p> <ul style="list-style-type: none"> • Stile & Rail Profiles: SR100, SR102, SR107, SR119, SR126, SR133 (with AM1664), SR168. • Center Panel Profiles: PR300-32, PR302-25, PR303-32, PR305-32, RVSCP-PR324. • Please see <i>Chapter E</i> for profile drawings. <p>If your project requires WalzCraft profiles other than those listed above, please contact our Customer Support Team to determine feasibility and pricing. Most Traditional profiles and French Miter profiles are available for an upcharge. Miter construction is not an option.</p>
---	---	--

Notes Continued on Next Page...

The installation of Range Hood and Ventilation Units are subject to local building code construction guidelines. It is your responsibility to ensure that the Range Hood, Liner and Blower meet your local building code standards.

► For **PRICING** ► See *Section P.1* in our current Wholesale Pricing Catalog.

Technical Notes: Range Hoods - General Information...continued

Range Hood Options (Chapter P)...continued

1	Range Hood Series Part #'s	Part #'s are noted for each Range Hood within the Wood Species Tables throughout <i>Chapter P</i> . Part #'s also represent the size for that particular Range Hood; these sizes are noted within each table.
2	Ventilation Units (Liner & Blower)	<p>All range hood designs offered by WalzCraft are pre-engineered, compatible and available with the optional Ventilation Units (Liner & Blower) also offered by WalzCraft. See previous pages.</p> <p>Ventilation Units (Liner & Blower) are not included with the hood and must be ordered separately.</p> <ul style="list-style-type: none"> • The cost for these units is not included in the cost of the hood. <p>If you choose to use a unit from another supplier with any unit offered by WalzCraft, you may find that the two units are not compatible. Should this be the case, WalzCraft will not be held responsible for either unit, nor will WalzCraft provide a warranty on these items.</p> <p>When using a ventilation unit (liner & blower) other than what WalzCraft offers, range hoods may need to be customized so the ventilation unit fits the range hood. If this should be the case, then installation specifications for the ventilation unit must be provided to WalzCraft.</p> <p>Internal and External blowers available.</p> <ul style="list-style-type: none"> • Internal blowers are mounted inside the wood hood. They push the air through the duct. • External blowers are mounted on the roof or outside wall. They pull air through the duct and offer superior performance.
3	Hood/Ventilation Unit Installation	WalzCraft outsources its Range Hoods and Ventilation Units, thus, we assume no liability regarding the installation of the hoods, liners and blowers. It is your responsibility to ensure installation recommendations/requirements are met. This includes the range hood supplier's recommendations, the range/cooktop manufacturer's installation specifications, and local building code construction guidelines.
4	Local Building Code Standards	Installation of Range Hood & Ventilation Units are subject to local building code construction guidelines. It is your responsibility to ensure that the Range Hood, Liner & Blower meet your local building code standards.
5	Customization	Customization is an option on all Range Hoods except the V and VRA Series . When customizing, a price quote and a CAD drawing will be provided and must be signed off giving approval before the order will be placed. Some customizations may incur significant upcharges due to the complexity of the modification.
6	Hood Liner	For a proper fit, the Hood Liner size is ordered smaller than the Range Hood. (<i>ie: 39" hoods get 36" liners</i>) See size guidelines for Range Hood Ventilator units on previous pages of Section P.7.
7	Removable Access Panel	<p>Removable Exhaust Fan Access Panels are a standard feature, and carry no additional charge for Series A, L, M, N, O, Q, S, H and W range hoods.</p> <p>Removable Exhaust Fan Access Panels are an optional feature, for Series G, I, J and T range hoods. See Section P.7. Additional charges may apply.</p>
8	Removable Top	Removable Tops are an optional feature , available for Series E, G, and T range hoods. See Removable Top Option For Range Hoods on previous pages of Section P.7. Available at no additional charge.
9	Spice Racks	<p>Spice racks are optional and located within the lower columns on Series W and O range hoods.</p> <p>A corbel and door are used for access or a single door may also be used. Corbels must be ordered separately using Order Form # 5; these are not included in the Range Hood price.</p> <p>These Maple Spice Racks have three adjustable shelves and one fixed shelf. Spice Racks are not included in the Range Hood price; please contact our Customer Support Team for a price quote.</p>
10	Range Hood Shelves	Shelves are measured from tip to tip of any molding that may be applied.

Sizes / Dimensions

1	Custom Sizes	Custom Sizes are available for most Range Hoods; additional charges may apply.
---	---------------------	---

The installation of Range Hood and Ventilation Units are subject to local building code construction guidelines. It is your responsibility to ensure that the Range Hood, Liner and Blower meet your local building code standards.

► **For PRICING** ► See **Section P.1** in our current Wholesale Pricing Catalog.